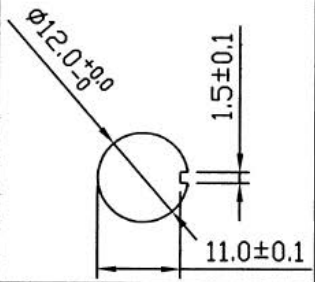
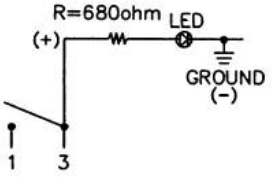
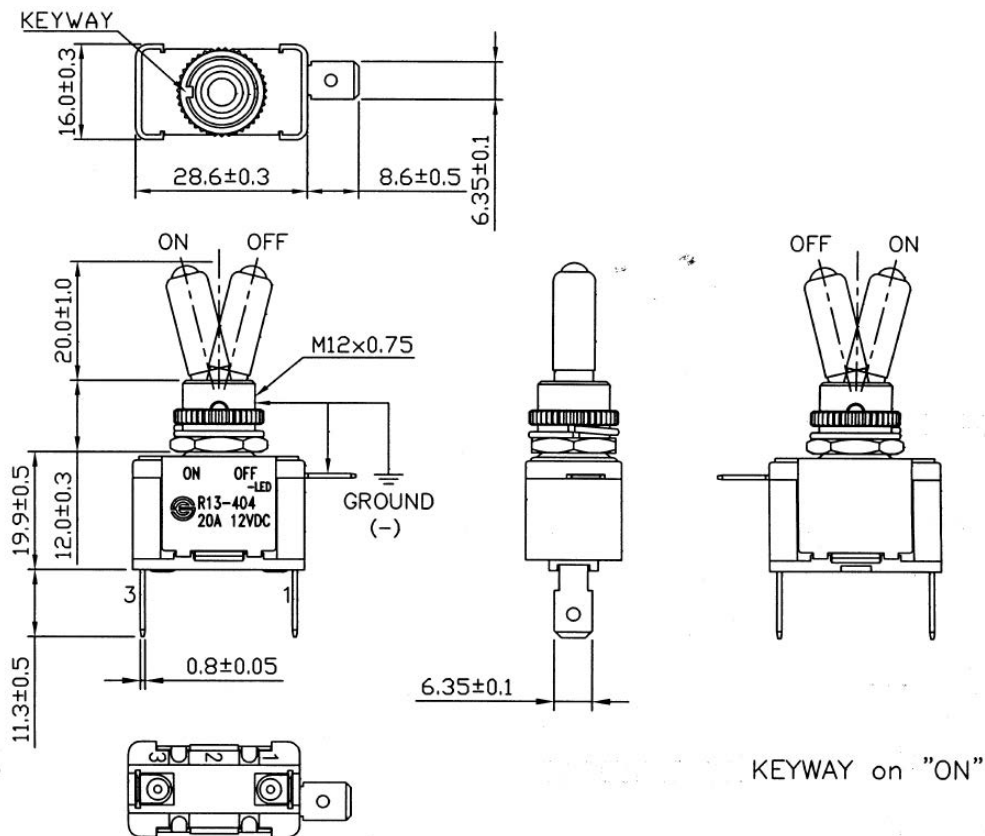


## Rocker switch, On-Off 3P SPST, blue LED, 12VDC/20A

Rating	20A 12V DC	Mounting Hole	Circuit Diagram
Contact Resistance	50m ohm Max		
Insulation Resistance	DC 500V 100M ohm Min		
Dielectric Strength	AC 1500V 1minute		
Switch Function	3P SPST ON-OFF with LED		



Unit: mm

1811472	Red
1811351	Blue
1810384	Green
1810383	Yellow
SCI BOM No.	LED Color

This is a publication by Conrad Electronic SE, Klaus-Conrad-Str. 1, D-92240 Hirschau (www.conrad.com).

All rights including translation reserved. Reproduction by any method, e.g. photocopy, microfilming, or the capture in electronic data processing systems require the prior written approval by the editor. Reprinting, also in part, is prohibited. This publication represents the technical status at the time of printing.

© Copyright 2017 by Conrad Electronic SE.