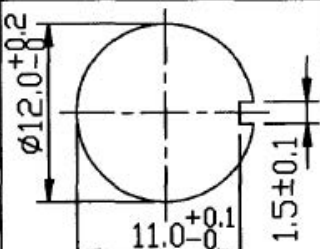
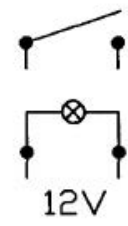
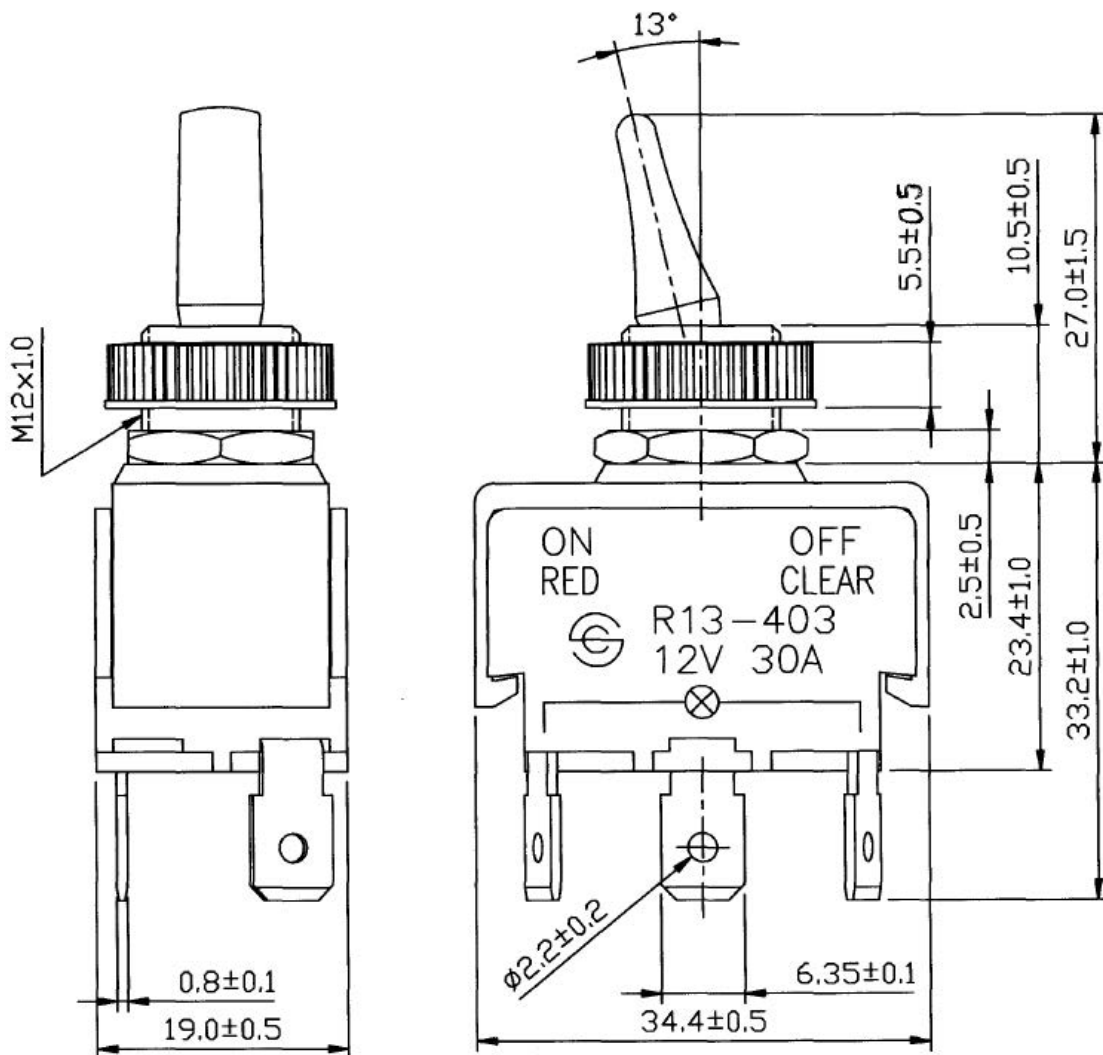


## Rocker switch, ON-OFF 4P SPST, 12V/30A red LED, natural

規格 Rating	30A 12V	裝配孔 Mount Hole	線路圖 Circuit Structure
接觸電阻 Contact R	50m ohm Max.		
絕緣電阻 Insulation R	DC 500V 100M ohm Min.		
耐電壓 Dielectric Strength	AC 1500V 1 minute		
動作特性 Circuit	2P SPST ON-OFF		



Unit: mm