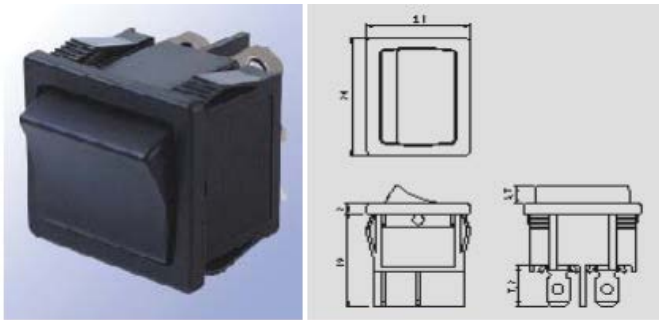


## Rocker Switch, Red

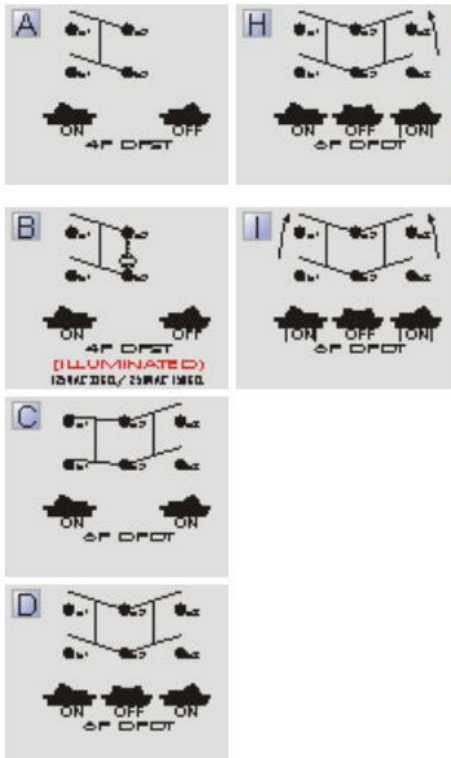


**Rating**  
 10A 125V AC  
 6A 250V AC  
**Contact resistance**  
 50mΩ [ Max  
**Insulation resistance**  
 DC 500V  
 100MΩ [ Min  
**Dielectric strength**  
 AC 1500V 1 minute  
**Cut-out**



### FEATURES

- **MATERIAL:** Frames are nylon (UL flame: 94V-2). Terminals are silver plated brass.
- Illuminated actuators are molded in PC, available with red, amber, and green colors.
- Snap-in mounting, easy to install switch into panel.

### FUNCTION



### TERMINAL

0 2  .187" Quick connect  
 0 5  Solder  
 \* ( ) =momentary

Unit: mm