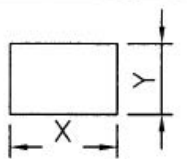
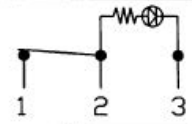
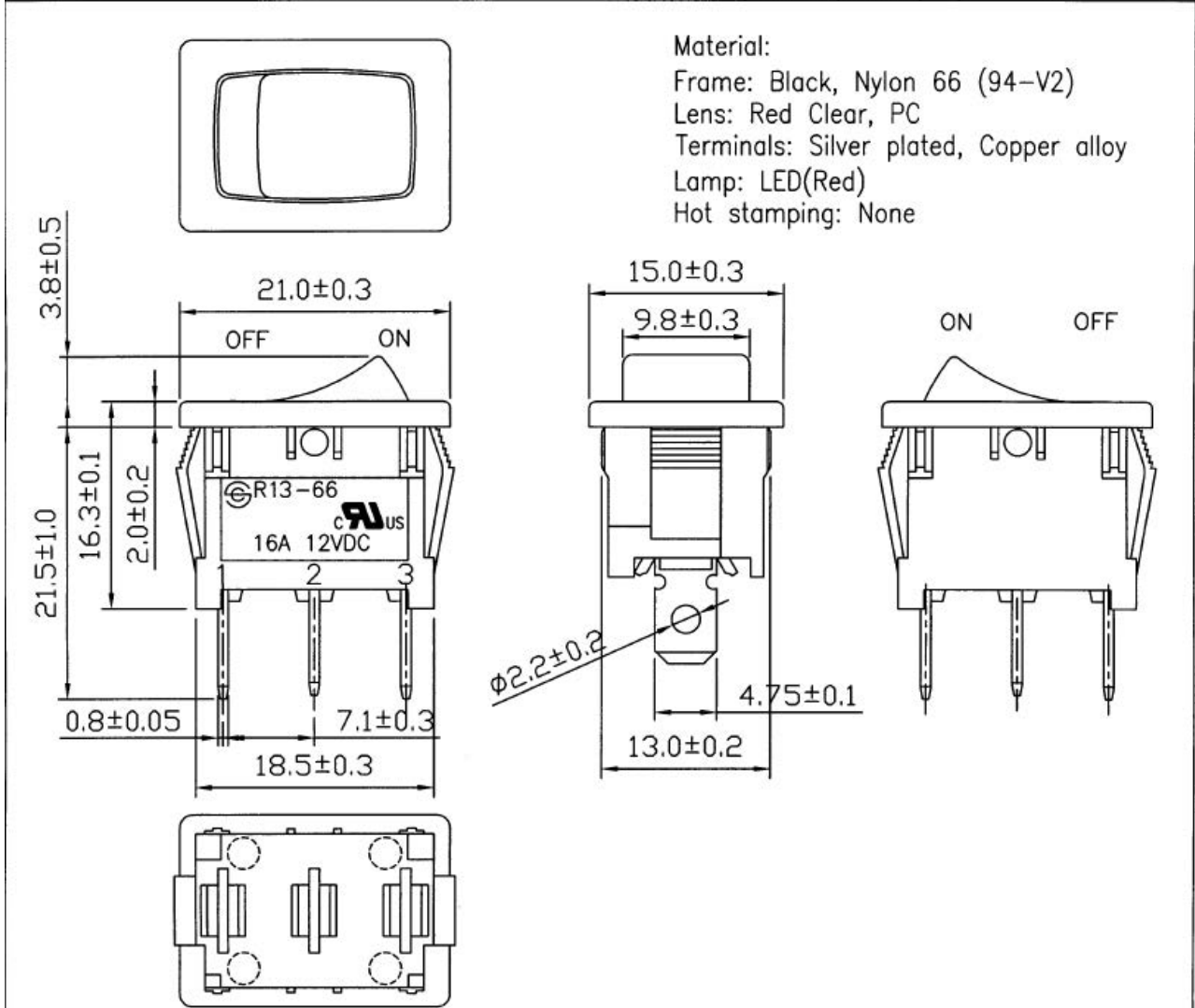


Rocker switch 3P SPST ON-OFF (LED or Lamp)

Rating	16A 12VDC	Mounting Hole	Circuit Diagram											
Contact Resistance	50m ohm Max.		OFF											
Insulation Resistance	DC 500V 100M ohm Min.													
Dielectric Strength	AC 1500V 1 minute													
Operation Temperature	-20°C ~85°C													
Circuit	3P SPST ON-OFF	<table border="1"> <thead> <tr> <th>Thickness</th> <th>X</th> <th>Y</th> </tr> </thead> <tbody> <tr> <td>0.75...1.25</td> <td>19.2-0.1</td> <td>13+0.1</td> </tr> <tr> <td>1.25...2</td> <td>19.4-0.1</td> <td>13+0.1</td> </tr> <tr> <td>2...3</td> <td>19.8-0.1</td> <td>13+0.1</td> </tr> </tbody> </table>	Thickness	X	Y	0.75...1.25	19.2-0.1	13+0.1	1.25...2	19.4-0.1	13+0.1	2...3	19.8-0.1	13+0.1
Thickness	X	Y												
0.75...1.25	19.2-0.1	13+0.1												
1.25...2	19.4-0.1	13+0.1												
2...3	19.8-0.1	13+0.1												



Unit: mm