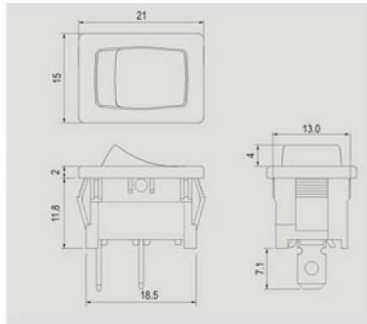


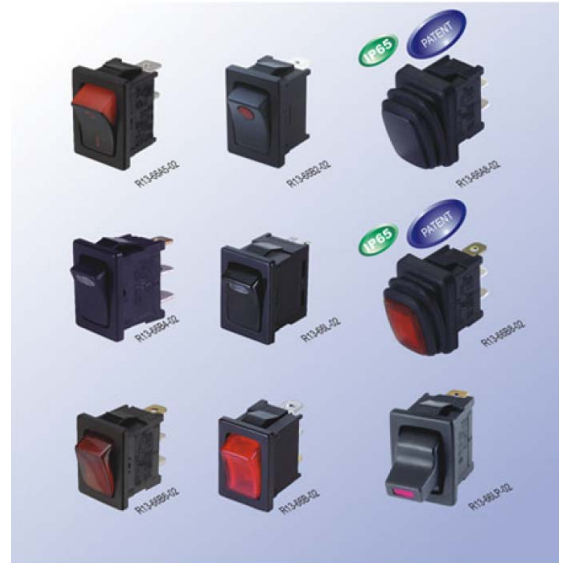
## Rocker Switch PRINT O / I (16A125VAC/10A250VAC)



Rating	
16A 125V AC 1/3HP 125V AC	
10A 250V AC 1/2HP 250V AC	
Contact resistance	
50mΩ Max	
Insulation resistance	
DC 500V 100MΩ Min	
Dielectric strength	
AC 1500V 1 minute	
Cut-out	

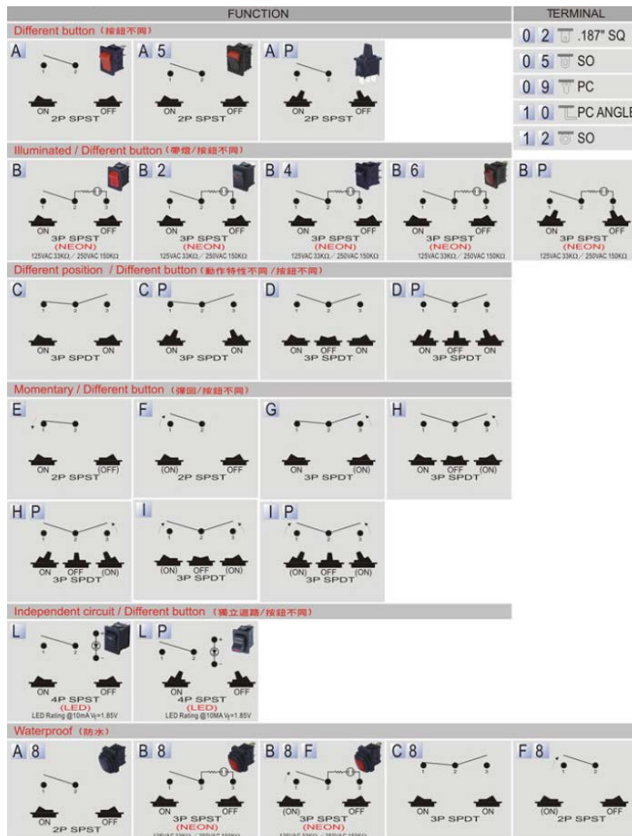
X Y		
0.75-1.25	19.2±0.1	13.0±0.1
1.25-2	19.4±0.1	13.0±0.1
2-3	19.8±0.1	13.0±0.1

Cut-out for X8 ROCKER		
0.75-1.25	19.4±0.1	13.0±0.1
1.5-2.5	19.8±0.1	13.0±0.1



### FEATURES

- \* MATERIAL: Frames are nylon (UL flame: 94V-2). Terminals are silver plated brass.
- \* Illuminated actuators are molded in PC, available with red, amber and green colors.
- \* Snap-in mounting, easy to install switch into panel.
- \* Waterproof cover is optional.
- \* The only difference between R13-66B and R13-66B6 is the style of rocker.



Unit: mm

This is a publication by Conrad Electronic SE, Klaus-Conrad-Str. 1, D-92240 Hirschau (www.conrad.com).

All rights including translation reserved. Reproduction by any method, e.g. photocopy, microfilming, or the capture in electronic data processing systems require the prior written approval by the editor. Reprinting, also in part, is prohibited. This publication represents the technical status at the time of printing.

© Copyright 2017 by Conrad Electronic SE.