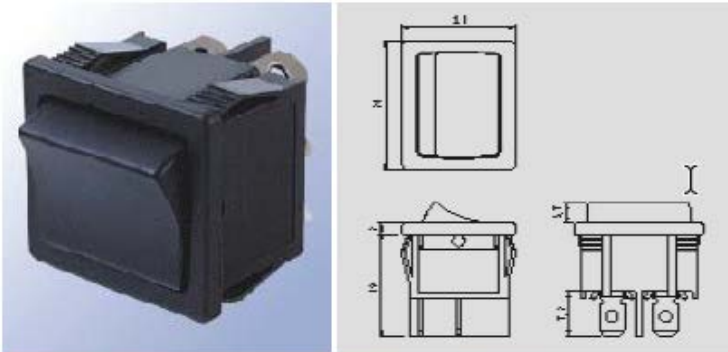


# Datasheet

Item no. 1587521

V1\_0817\_01\_en

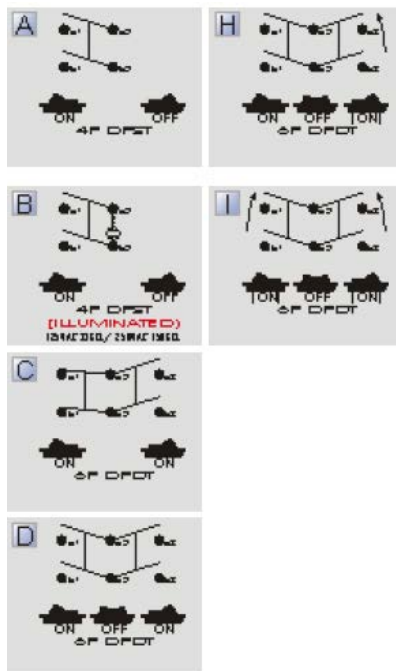
## Rocker Switch

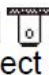


Rating			
10A 125V AC			
6A 250V AC			
Contact resistance	50mΩ[ Max		
Insulation resistance	DC 500V X		
	100MΩ[ Min Y		
Dielectric strength	.2-0.	7.2-0.	.2-0.
AC 1500V 1 minute	$\frac{0.75}{1.25}$	X	Y
Cut-out	1.25~2	19.6-0.1	22.2+0.1
	X	2~3	20.2-0.1 22.2+0.1

### FEATURES

- **MATERIAL:** Frames are nylon (UL flame: 94V-2). Terminals are silver plated brass.
- Illuminated actuators are molded in PC, available with red, amber, and green colors.
- Snap-in mounting, easy to install switch into panel.



0 2  .187" Quick connect

0 5  Solder

\* ( ) = momentary



Unit: mm