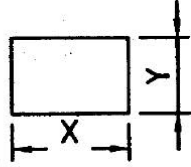
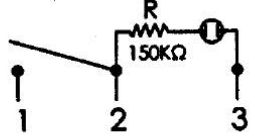
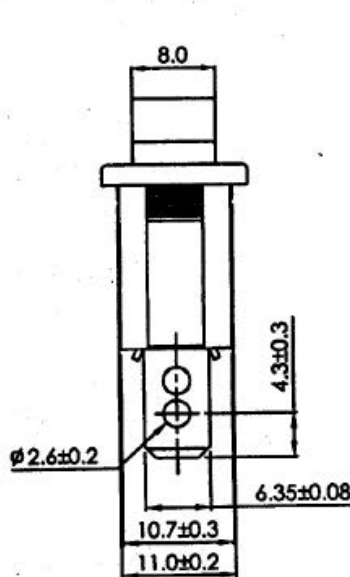
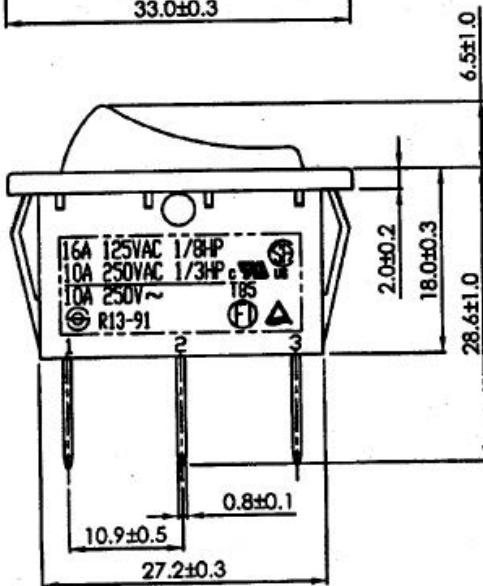
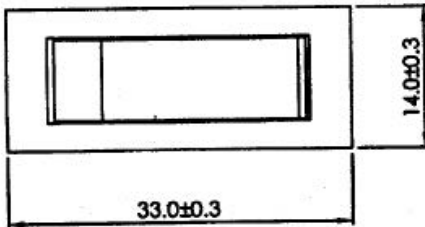


Rocker Switch Red (250VAC 150KR)

| Rating | 16A 125V AC 1/8HP 10A 250V AC 1/3HP cULus | Mounting Hole | Diagram | | | | | | | | | | | | | |
|------------------------------|--|--|---|--|-----------------|---|---|-------------|----------|--------|----------|----------|--------|-------|----------|--------|
| | 10A 250V ~ T85 | | | | | | | | | | | | | | | |
| Contact Resistance | 50m ohm Max. |  |  | | | | | | | | | | | | | |
| Insulation Resistance | DC 500V 100M ohm Min. | | | | | | | | | | | | | | | |
| Dielectric Strength | AC 1500V 1 minute | | | | | | | | | | | | | | | |
| Operation Temperature | -20°C~85°C | | | <table border="1"> <tr> <th>Panel Thickness</th> <th>X</th> <th>Y</th> </tr> <tr> <td>0.75...1.25</td> <td>19.2-0.1</td> <td>13+0.1</td> </tr> <tr> <td>1.25...2</td> <td>19.4-0.1</td> <td>13+0.1</td> </tr> <tr> <td>2...3</td> <td>19.8-0.1</td> <td>13+0.1</td> </tr> </table> | Panel Thickness | X | Y | 0.75...1.25 | 19.2-0.1 | 13+0.1 | 1.25...2 | 19.4-0.1 | 13+0.1 | 2...3 | 19.8-0.1 | 13+0.1 |
| Panel Thickness | X | | | Y | | | | | | | | | | | | |
| 0.75...1.25 | 19.2-0.1 | 13+0.1 | | | | | | | | | | | | | | |
| 1.25...2 | 19.4-0.1 | 13+0.1 | | | | | | | | | | | | | | |
| 2...3 | 19.8-0.1 | 13+0.1 | | | | | | | | | | | | | | |
| Switch Function | 3P SPST ON-OFF (Illuminated) | | | | | | | | | | | | | | | |

⚠ *Material
 Frame: Nylon#66, Black
 Actuator: PC
 Terminal: Copper alloy, Silver plated



| | |
|---------|--------------|
| 1821114 | Green Clear |
| 1820830 | Orange Clear |
| 1820821 | Red Clear |
| SCI NO. | Lens Color |

Unit: mm