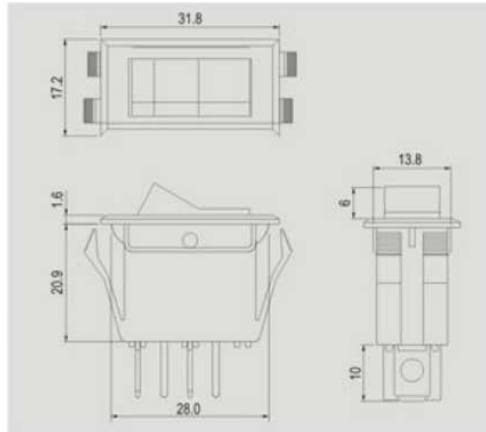


Datasheet

Item no. 1587535

V1_0817_01_en

Rocker Switch

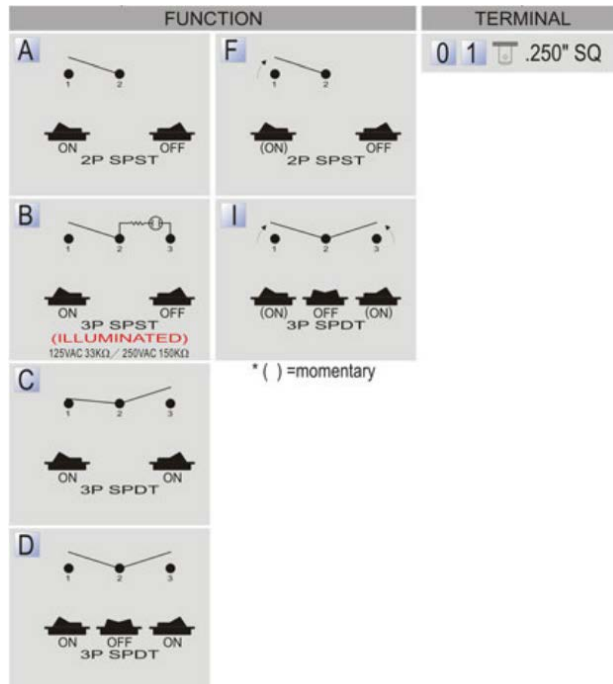


Rating	
15A 125V AC	1/8HP 125VAC
10A 250V AC	1/3HP 250VAC
Contact resistance	
50mΩ Max	
Insulation resistance	
DC 500V 100MΩ Min	
Dielectric strength	
AC 1500V 1 minute	
Cut-out	

	X	Y
0.75-1.25	28.6±0.1	14.0±0.1
1.25-2	28.8±0.1	14.0±0.1
2-3	29.2±0.1	14.0±0.1

FEATURES

- * MATERIAL: Frames are nylon (UL flame: 94V-2). Terminals are silver plated brass.
- * Illuminated actuators are molded in PC, available with red, amber and green colors.
- * Snap-in mounting, easy to install switch into panel.



Unit: mm

This is a publication by Conrad Electronic SE, Klaus-Conrad-Str. 1, D-92240 Hirschau (www.conrad.com).

All rights including translation reserved. Reproduction by any method, e.g. photocopy, microfilming, or the capture in electronic data processing systems require the prior written approval by the editor. Reprinting, also in part, is prohibited. This publication represents the technical status at the time of printing.

© Copyright 2017 by Conrad Electronic SE.