
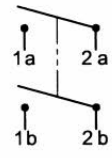
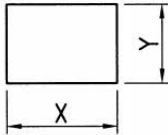
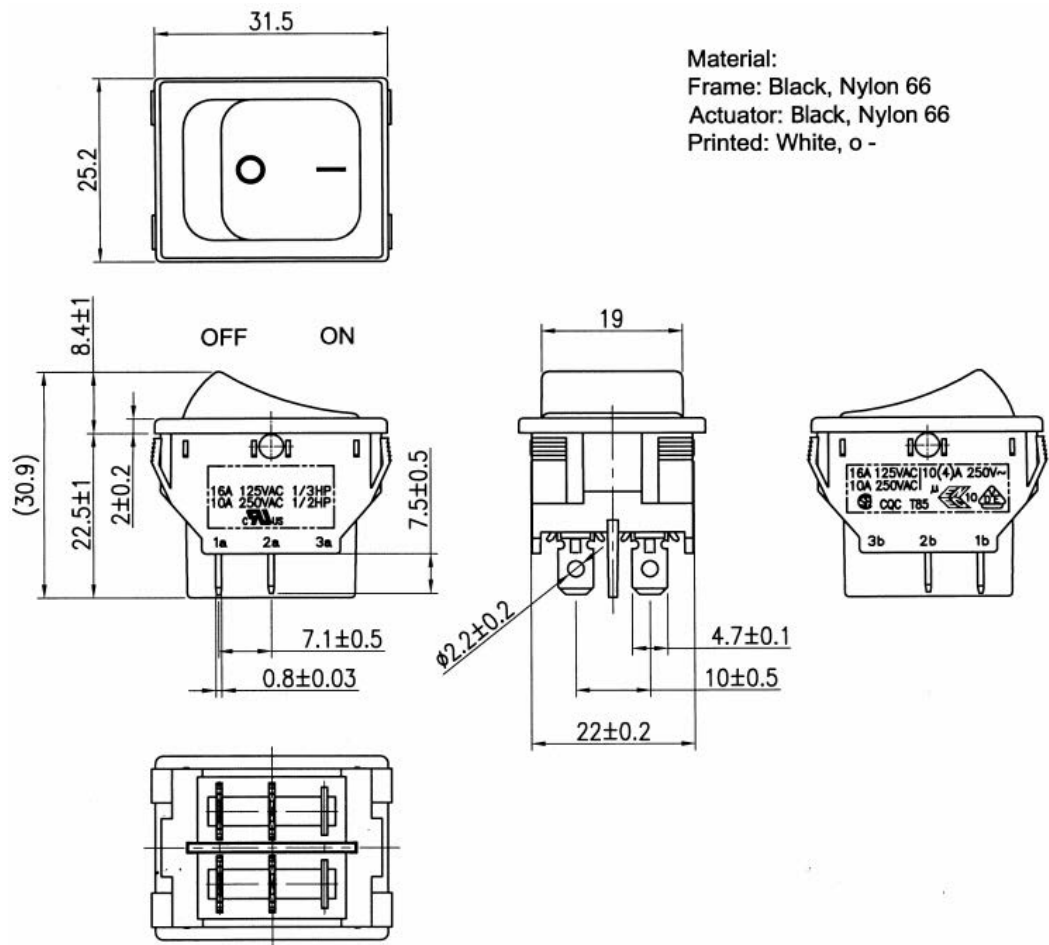


Rocker Switch

Rating	16A 125V AC 1/3HP 10A 250V AC 1/2HP 16A 125V AC, 10A 250V AC 10A(4) 250V ~		Mounting Hole		
Contact Resistance	50mm ohm Max				
Insulation Resistance	DC 500V 100M ohm Min.				
Dielectric Strength	AC 1500V 1 minute.				
Operation Temperature	-25° C~85° C				
Switch Function	4P DPST ON-OFF	Thickness	X	Y	
		0.75...1.25	30.2-0.1	22.2+0.1	
		1.25...2	30.4-0.1	22.2+0.1	
		2...3	30.8-0.1	22.2+0.1	



Tolerances Unless Otherwise Specified ±0.3 Unit: mm

This is a publication by Conrad Electronic SE, Klaus-Conrad-Str. 1, D-92240 Hirschau (www.conrad.com).
 All rights including translation reserved. Reproduction by any method, e.g. photocopy, microfilming, or the capture in electronic data processing systems require the prior written approval by the editor. Reprinting, also in part, is prohibited. This publication represents the technical status at the time of printing.
 © Copyright 2017 by Conrad Electronic SE.