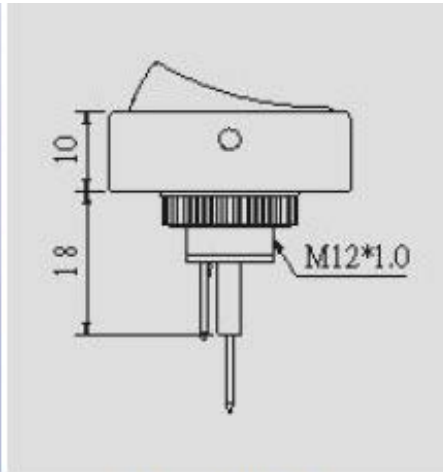


Rocker Switch AMBER 12VDC



30A 12V DC

Ø 12.2

±0.1 4 mm max

FUNCTION



TERMINAL

0 1 .250" Quick connect