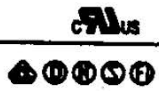
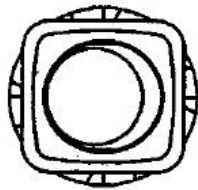
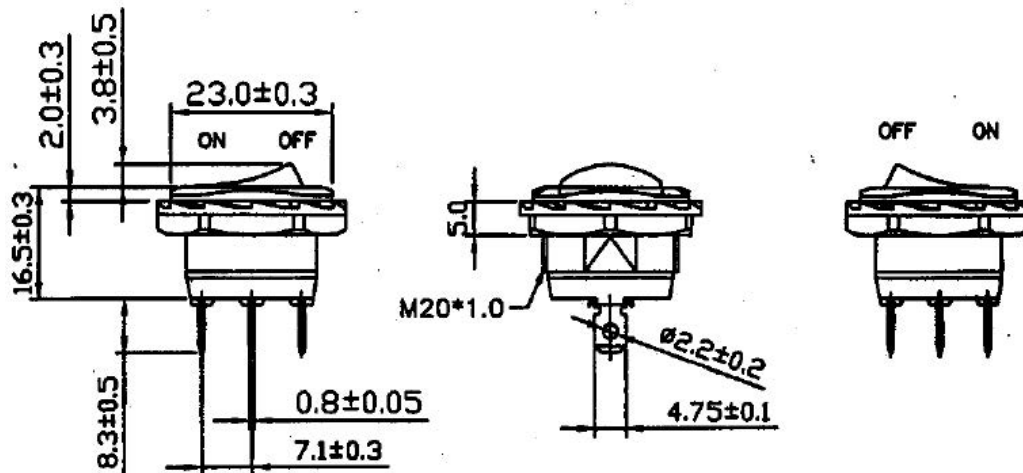


Rocker switch 3P SPST ON-OFF (LED or Lamp)

Rating	16A 125V AC		Mounting Hole	Diagram
	10A 250V AC			
Contact Resistance	50m ohm Max.			
Insulation Resistance	DC 500V 100M ohm Min.			
Dielectric Strength	AC 1500V 1 minute			
Operation Temperature	-20°C ~ 85°C			
Switch Function	3P SPST ON-OFF			



*Material
 Frame: Nylon#66+33%GF, Black
 Lens: PC
 Terminal: Copper alloy, Silver plated



Unit: mm

1820952	yellow Clear	Red
1820955	Green Clear	Green
1820947	Red Clear	Red
SCI NO.	Lens Color	Neon Light Color