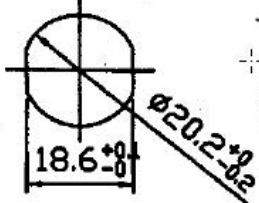
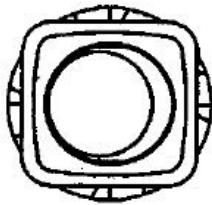
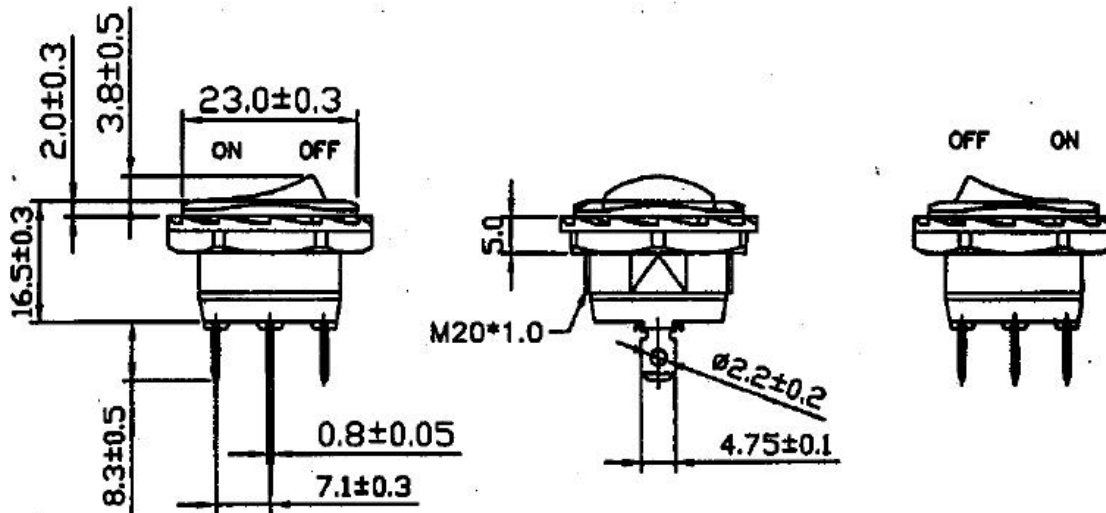


## Rocker switch 3P SPST ON-OFF (LED or Lamp)

<b>Rating</b>	16A 125V AC 10A 250V AC 10A 125V AC 6A 250V AC	$3\mu s$ ⚠⚠⚠⚠⚠	<b>Mounting Hole</b>	<b>Diagram</b>
<b>Contact Resistance</b>	50m ohm Max.			OFF
<b>Insulation Resistance</b>	DC 500V 100M ohm Min.			ON
<b>Dielectric Strength</b>	AC 1500V 1 minute			
<b>Operation Temperature</b>	-20°C~85°C			
<b>Switch Function</b>	3P SPST ON-OFF			



\*Material  
 Frame: Nylon#66+33%GF, Black  
 Lens: PC  
 Terminal: Copper alloy, Silver plated



Unit: mm

1822457	Orange Clear	Red
1822456	Green Clear	Green
1822455	Red Clear	Red
SCI NO.	Lens Color	Neon Light Color