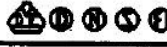
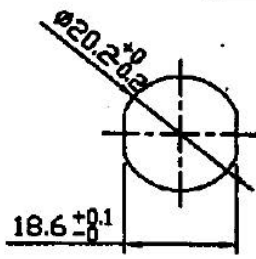
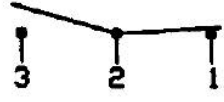
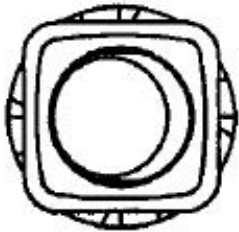


Rocker switch

Rating	10A 125V AC 6A 250V AC 	Mounting Hole	Diagram
Contact Resistance	50m ohm Max.		
Insulation Resistance	DC 500V 100M ohm Min.		
Dielectric Strength	AC 1500V 1 minute		
Operation Temperature	-20°C~85°C		
Switch Function	3P SPDT ON-ON		

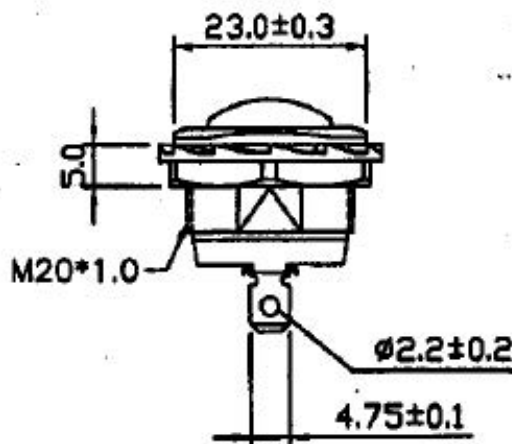
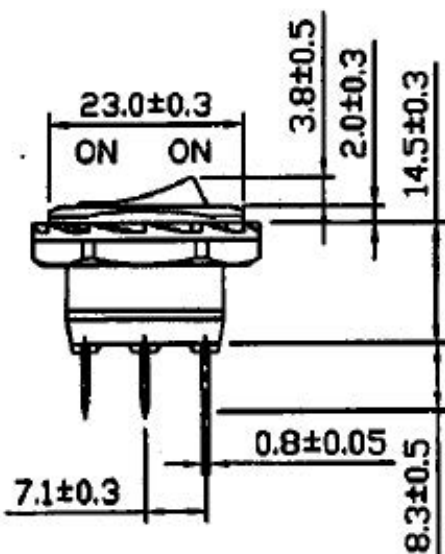


***Material**

Frame: Nylon#66+33%GF, Black

Actuator: Nylon#66, Black

Terminal: Copper alloy, Silver plated



Unit: mm