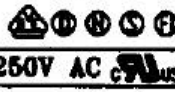
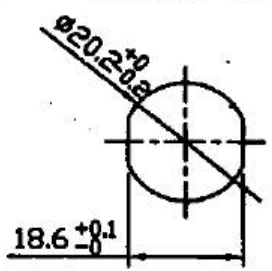
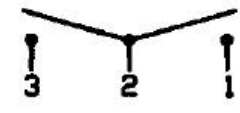
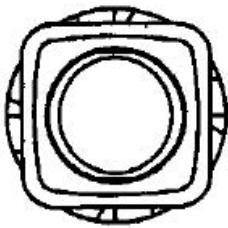


Rocker switch

Rating	10A 125V AC 6A 250V AC 16A 125V AC, 10A 250V AC 	Mounting Hole	Diagram
Contact Resistance	50m ohm Max.		
Insulation Resistance	DC 500V 100M ohm Min.		
Dielectric Strength	AC 1500V 1 minute		
Operation Temperature	-20°C~85°C		
Switch Function	3P SPDT ON-OFF-ON		

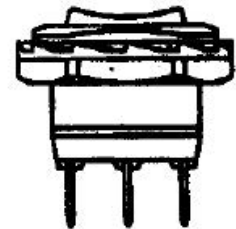
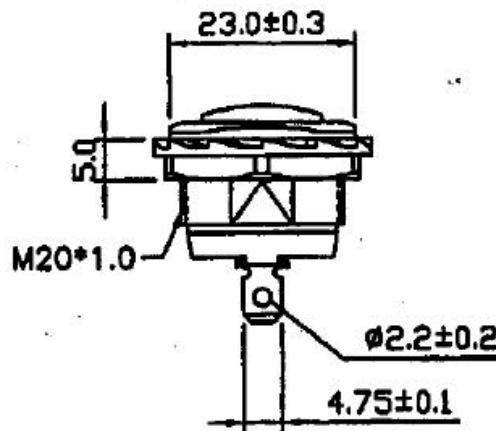
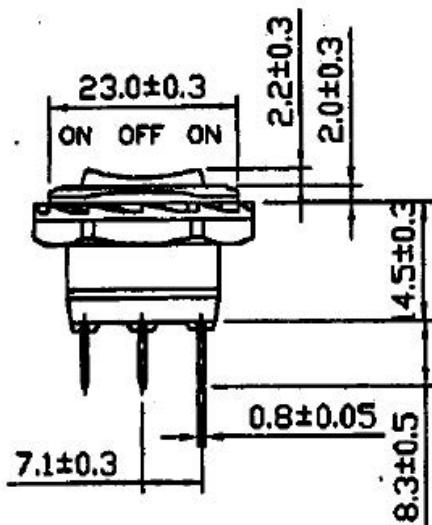


***Material**

Frame: Nylon#66+33%GF, Black

Actuator: Nylon#66, Black

Terminal: Copper alloy, Silver plated



Unit: mm