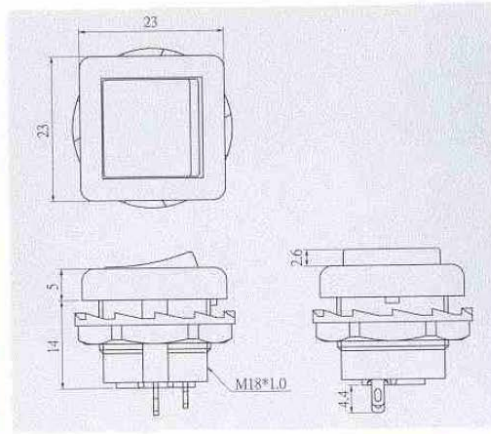


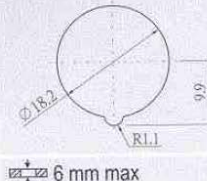
Datasheet

Item no. 1587563

V1_0817_01_en

Rocker Switch



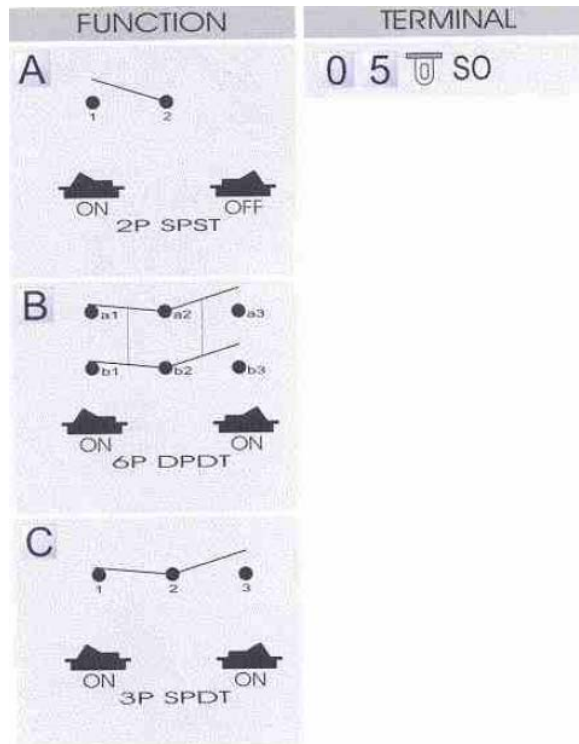
Rating
10A 125V AC 6A 250V AC
Contact resistance
50mΩ Max
Insulation resistance
DC 500V 100MΩ Min
Dielectric strength
AC 1500V 1 minute
Cut-out


FEATURES

- * MATERIAL: Actuators are nylon (UL flame: 94V-2). Terminals are silver plated brass.
- * Phenolic base.

Protection Class: IP 30
Fireproof: 94V-2

Unit: mm



This is a publication by Conrad Electronic SE, Klaus-Conrad-Str. 1, D-92240 Hirschau (www.conrad.com).

All rights including translation reserved. Reproduction by any method, e.g. photocopy, microfilming, or the capture in electronic data processing systems require the prior written approval by the editor. Reprinting, also in part, is prohibited. This publication represents the technical status at the time of printing.

© Copyright 2017 by Conrad Electronic SE.