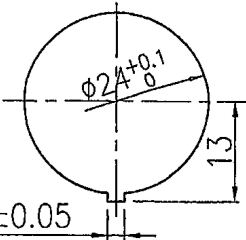
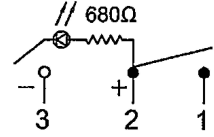
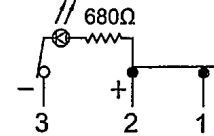
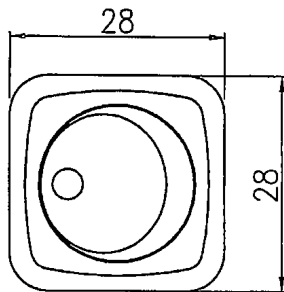


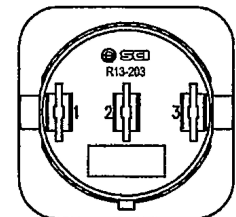
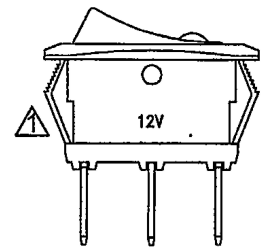
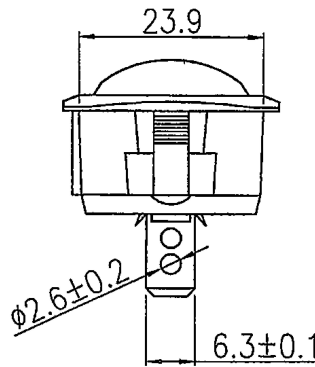
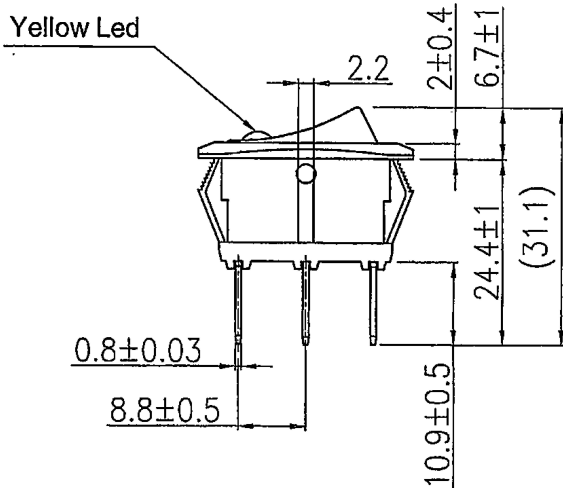
# Datasheet

Item no. 1587565

Rating	25A 12V DC	Mounting Hole	Circuit Diagram
Contact Resistance	50m ohm Max.		<b>OFF</b> 
Insulation Resistance	DC 500V 100M ohm Min.		
Dielectric Strength	AC 1500V 1 minute		<b>ON</b> 
Operation Temperature	-20° C ~ 65° C		
Switch Function	3P SPST ON-OFF ( LED dependent)		
			Thickness 1~4 mm



Material:  
 Frame: Black , Nylon#66  
 Actuator: Black , Nylon#66 +33%GF,  
 LED: Yellow



Tolerances ±0.3 Unless Otherwise Specified

This is a publication by Conrad Electronic SE, Klaus-Conrad-Str. 1, D-92240 Hirschau (www.conrad.com).  
 All rights including translation reserved. Reproduction by any method, e.g. photocopy, microfilming, or the capture in electronic data processing systems require the prior written approval by the editor. Reprinting, also in part, is prohibited. This publication represents the technical status at the time of printing.