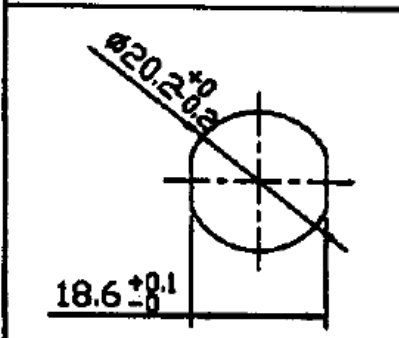
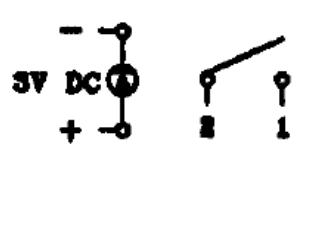
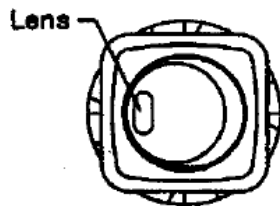


Data Sheet

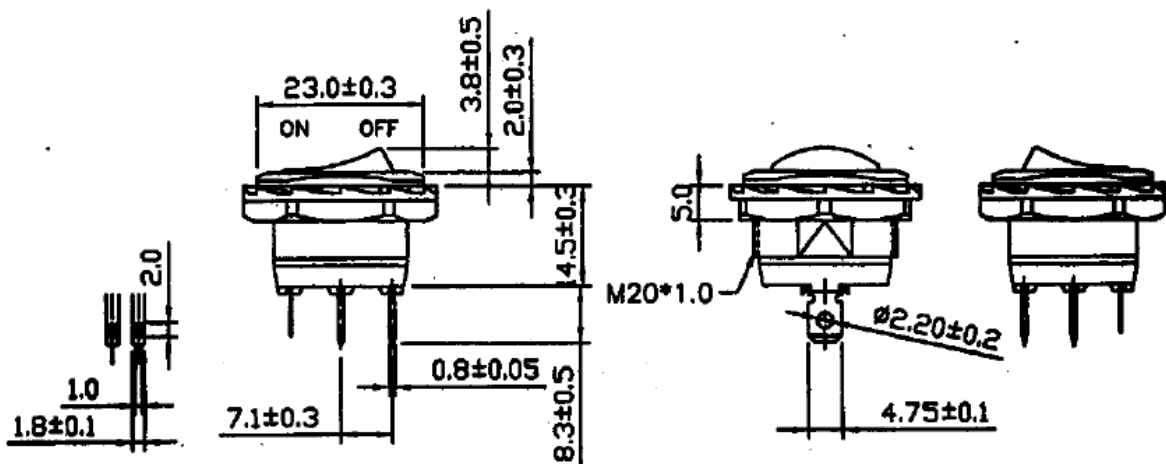
Rocker switch 250 V/AC 10 A ON-OFF latch



Mounting Hole	Diagram
	



*Material
 Frame: Nylon#66+33%GF, Black
 Actuator: Nylon#66, Black
 Lens: PC
 Terminal: Copper alloy, Silver plated



Data Sheet

Technical data

Rating: 16 A, 125 V/AC / 10 A, 250 V/AC

Contact resistance: 50m ohm max.

Insulation resistance: 500 V/DC, 100M ohm min.

Dielectric strength: 1500 V/AC, 1 minute

Operation temperature: -20 to 85°C

Switch function: 4P SPST ON-OFF with LED