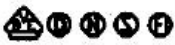
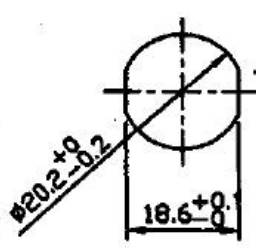
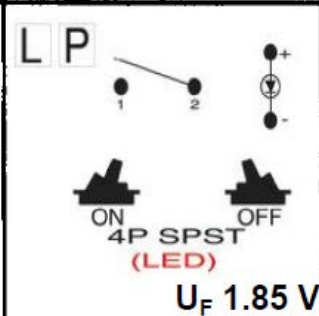



Rocker Switch

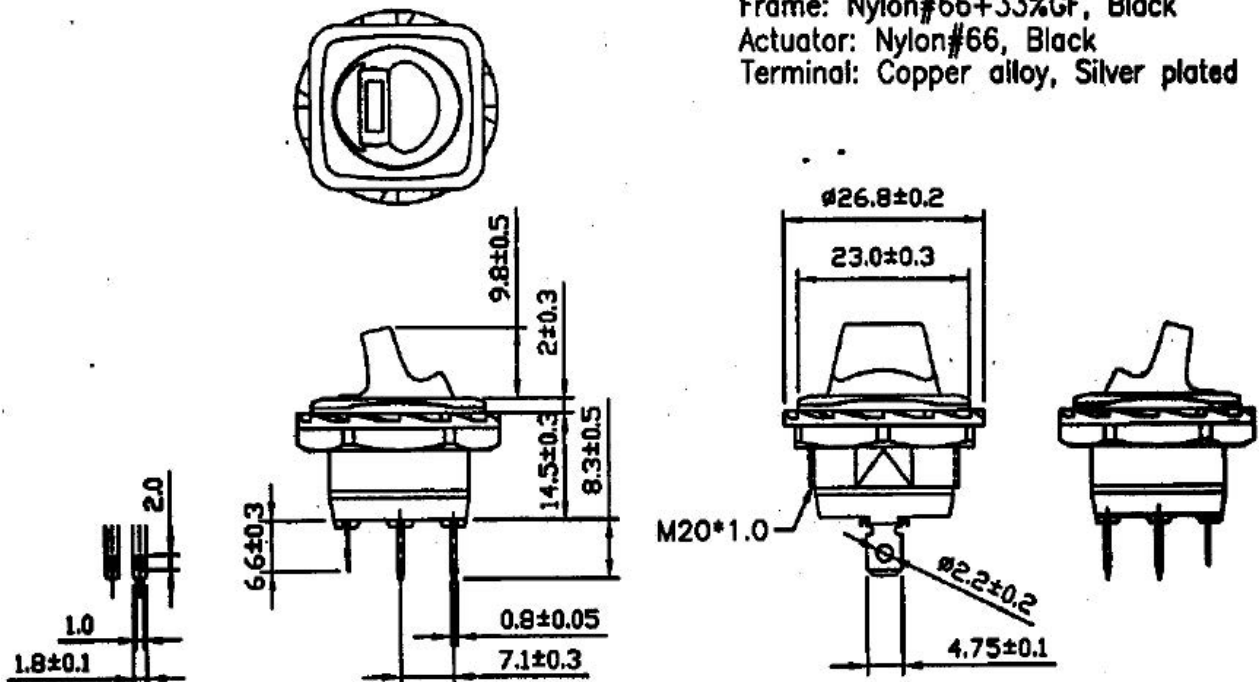
Rating	10A 125V AC 	Mounting Hole	Diagram
	6A 250V AC		
Contact Resistance	50m ohm Max.		
Insulation Resistance	DC 500V 100M ohm Min.		
Dielectric Strength	AC 1500V 1 minute		
Operation Tempature	-20°C~85°C		
Switch Function	4P SPST ON-OFF with LED		
	16A 125V AC 10A 250V AC 		

***Material**

Frame: Nylon#66+33%GF, Black

Actuator: Nylon#66, Black

Terminal: Copper alloy, Silver plated



1810465	Yellow
1810463	Green
1810459	Red
SCI NO.	LED Color

Unit: mm