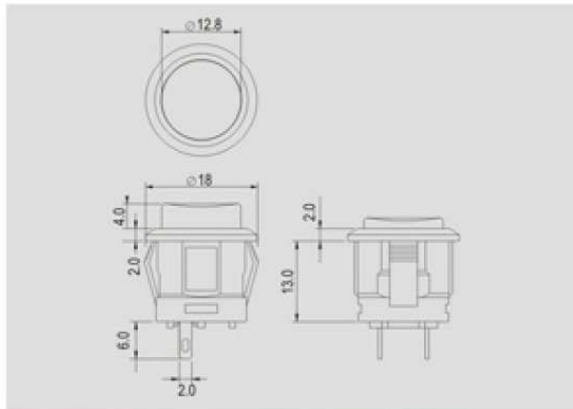


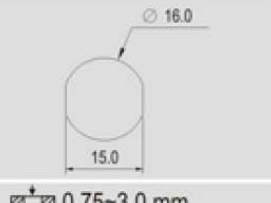
Datasheet

Item no. 1587640

V1_0817_01_en




Push Switch



Rating
3A 125V AC 1.5A 250V AC
Contact resistance
50mΩ Max
Insulation resistance
DC 500V 100MΩ Min
Dielectric strength
AC 1500V 1 minute
Cut-out


FEATURES

- * MATERIAL: Frames are nylon (UL flame: 94V-2). Terminals are silver plated brass.
- * Illuminated actuators are molded in PC, available with red, amber and green colors.
- * Snap-in mounting, easy to install switch into panel.

FUNCTION		BUTTON	TERMINAL
A		<input type="checkbox"/> W/O LED	0 5  SO
B		<input type="checkbox"/> With LED	

* () =momentary

Unit: mm