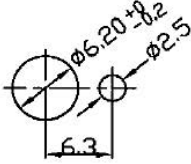



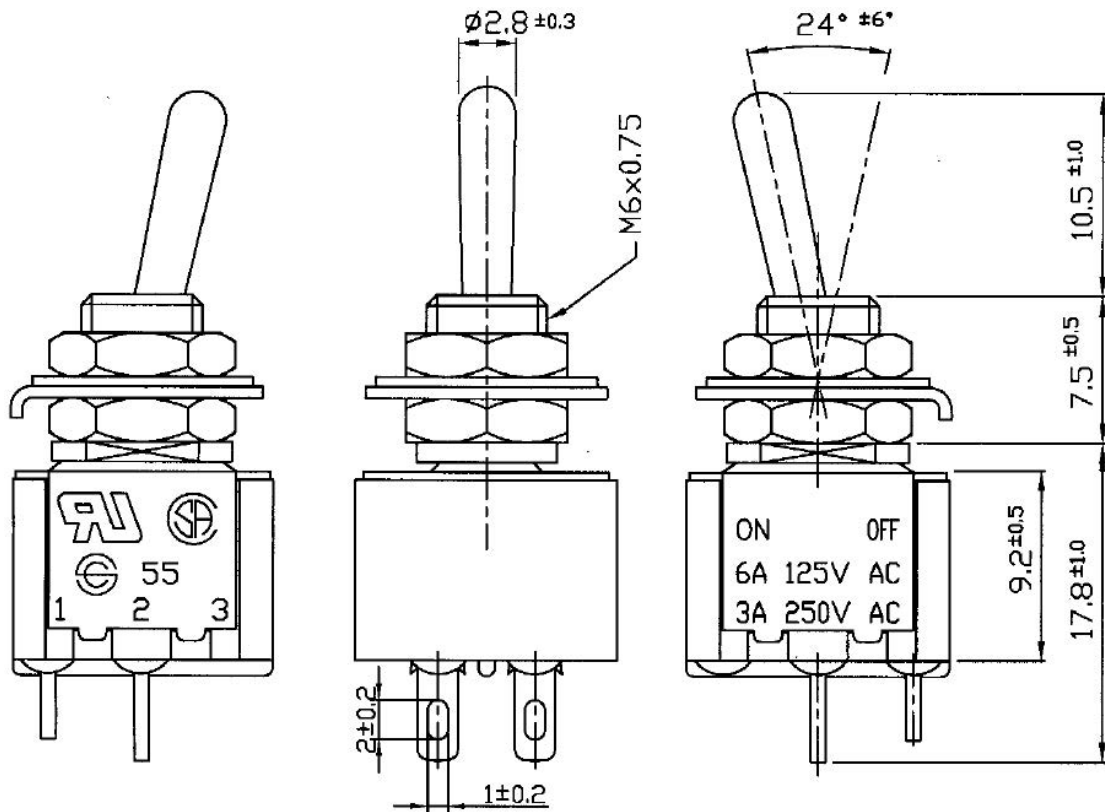
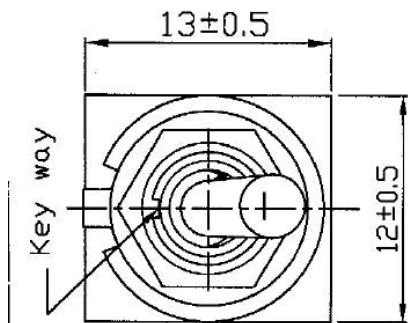
# Datasheet

Item no. 1587646

V1\_0817\_01\_en

## Mini Switch

<b>Rating</b>	6A 125V AC, 3A 250V AC		
<b>Contact R</b>	50m ohm Max.		
<b>Insulation R</b>	DC 500V 100M ohm Min.		
<b>Dielectric Strength</b>	AC 1000V 1 minute		
<b>Circuit</b>	4P DPST ON-OFF		



Unit: mm

This is a publication by Conrad Electronic SE, Klaus-Conrad-Str. 1, D-92240 Hirschau (www.conrad.com).

All rights including translation reserved. Reproduction by any method, e.g. photocopy, microfilming, or the capture in electronic data processing systems require the prior written approval by the editor. Reprinting, also in part, is prohibited. This publication represents the technical status at the time of printing.

© Copyright 2017 by Conrad Electronic SE.