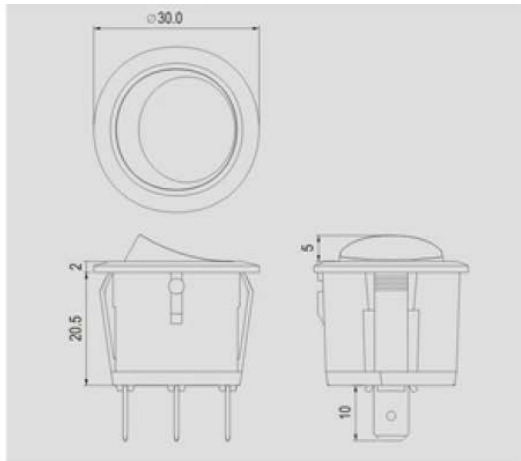




Datasheet

Item no. 1587651

V1_0817_01_en

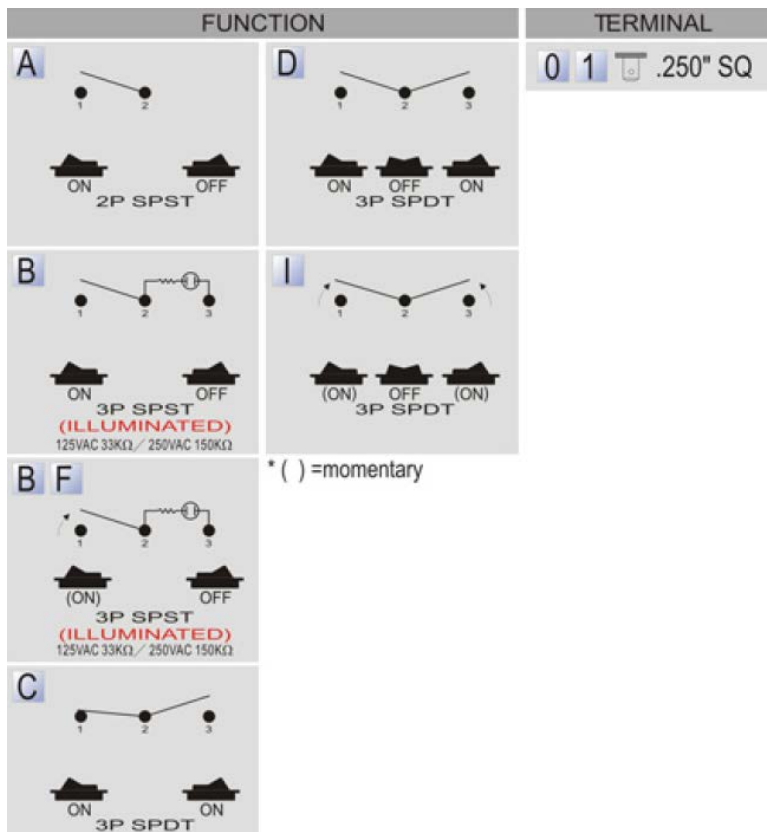
Rocker Switch



| |
|---|
| Rating |
| 16A 125V AC 1/3HP 125V AC 10A 250V AC 1/2HP 250V AC |
| Contact resistance |
| 50mΩ Max |
| Insulation resistance |
| DC 500V 100MΩ Min |
| Dielectric strength |
| AC 1500V 1 minute |
| Cut-out |
|  |
|  |

FEATURES

- * MATERIAL: Frames are nylon (UL flame: 94V-2). Terminals are silver plated brass.
- * Illuminated actuators are molded in PC, available with red, amber and green colors.
- * Snap-in mounting, easy to install switch into panel.



Unit: mm

This is a publication by Conrad Electronic SE, Klaus-Conrad-Str. 1, D-92240 Hirschau (www.conrad.com).

All rights including translation reserved. Reproduction by any method, e.g. photocopy, microfilming, or the capture in electronic data processing systems require the prior written approval by the editor. Reprinting, also in part, is prohibited. This publication represents the technical status at the time of printing.

© Copyright 2017 by Conrad Electronic SE.