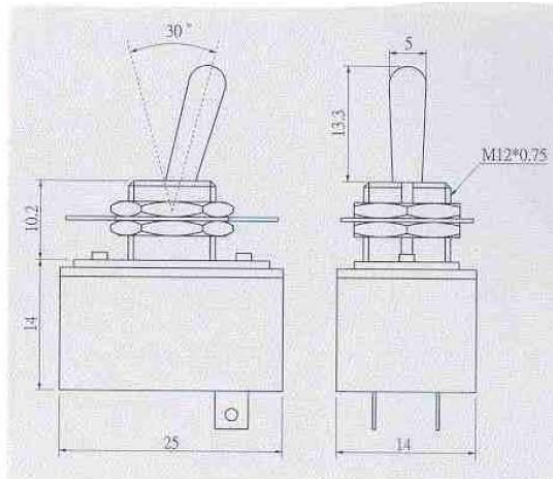


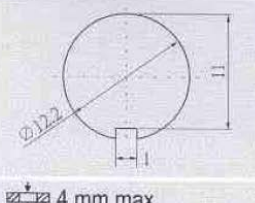
# Datasheet

Item no. 1587665

V1\_0817\_01\_en

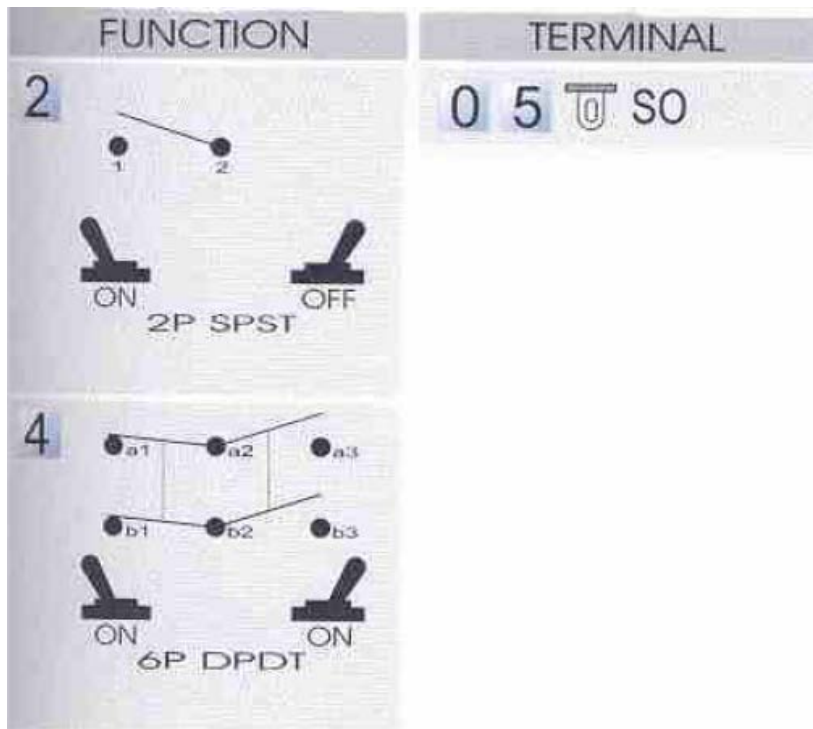
## Toggle Switch w/ indicator plate



<b>Rating</b>
3A 125V AC 1.5A 250V AC
<b>Contact resistance</b>
50mΩ Max
<b>Insulation resistance</b>
DC 500V 100MΩ Min
<b>Dielectric strength</b>
AC 1000V 1 minute
<b>Cut-out</b>


### FEATURES

- \* MATERIAL: Metal lever and bushing are nickel plated brass. Frames are nickel plated steel.
- \* Standard toggle lever.
- \* Phenolic base.
- \* Indicator plate is optional.



Unit: mm

This is a publication by Conrad Electronic SE, Klaus-Conrad-Str. 1, D-92240 Hirschau (www.conrad.com).

All rights including translation reserved. Reproduction by any method, e.g. photocopy, microfilming, or the capture in electronic data processing systems require the prior written approval by the editor. Reprinting, also in part, is prohibited. This publication represents the technical status at the time of printing.

© Copyright 2017 by Conrad Electronic SE.