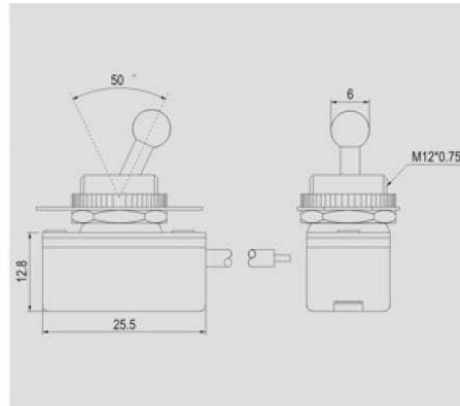
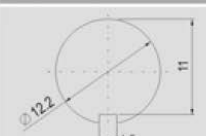


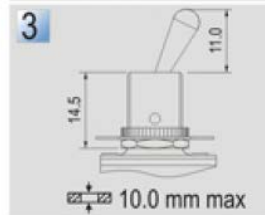
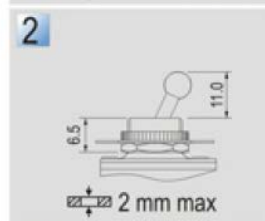
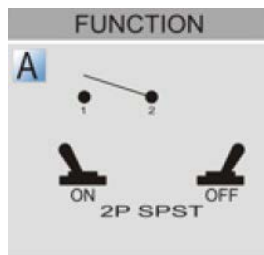
## Toggle Switch



Rating
6A 125V AC 3A 250V AC
Contact resistance
50mΩ Max
Insulation resistance
DC 500V 100MΩ Min
Dielectric strength
AC 1000V 1 minute
Cut-out


### FEATURES

- \* MATERIAL: Metal lever and bushing are nickel plated metal. Frames are metal plated.
- \* Phenolic base.
- \* Indicator plate and waterproof boot are optional.



**TERMINAL**

0 5	SO
0 8	SC 6-32UNC
1 1	WIRE

Unit: mm