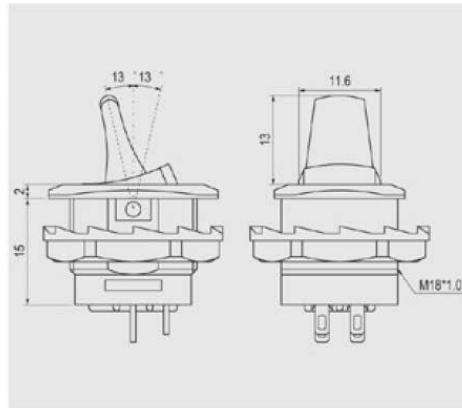
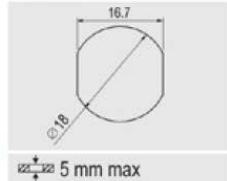


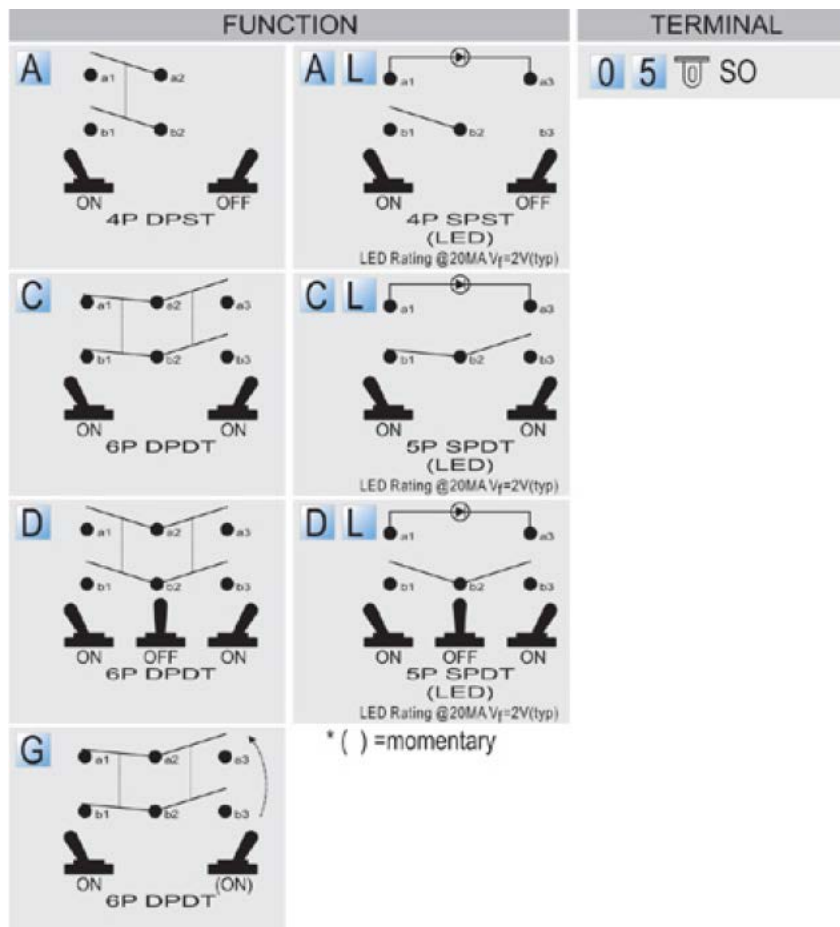
Toggle Switch



Rating	10A 125V AC 6A 250V AC
Contact resistance	50mΩ Max
Insulation resistance	DC 500V 100MΩ Min
Dielectric strength	AC 1500V 1 minute
Cut-out	

FEATURES

- * MATERIAL: Frames are nylon (UL flame: 94V-2). Base are PBT (UL flame: 94V-0). Terminals are silver plated brass.
- * LED indicator on the top of lever. (AL, CL, DL type only). LED available with red, amber, and green colors.



Unit: mm

This is a publication by Conrad Electronic SE, Klaus-Conrad-Str. 1, D-92240 Hirschau (www.conrad.com).

All rights including translation reserved. Reproduction by any method, e.g. photocopy, microfilming, or the capture in electronic data processing systems require the prior written approval by the editor. Reprinting, also in part, is prohibited. This publication represents the technical status at the time of printing.

© Copyright 2017 by Conrad Electronic SE.