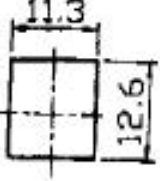

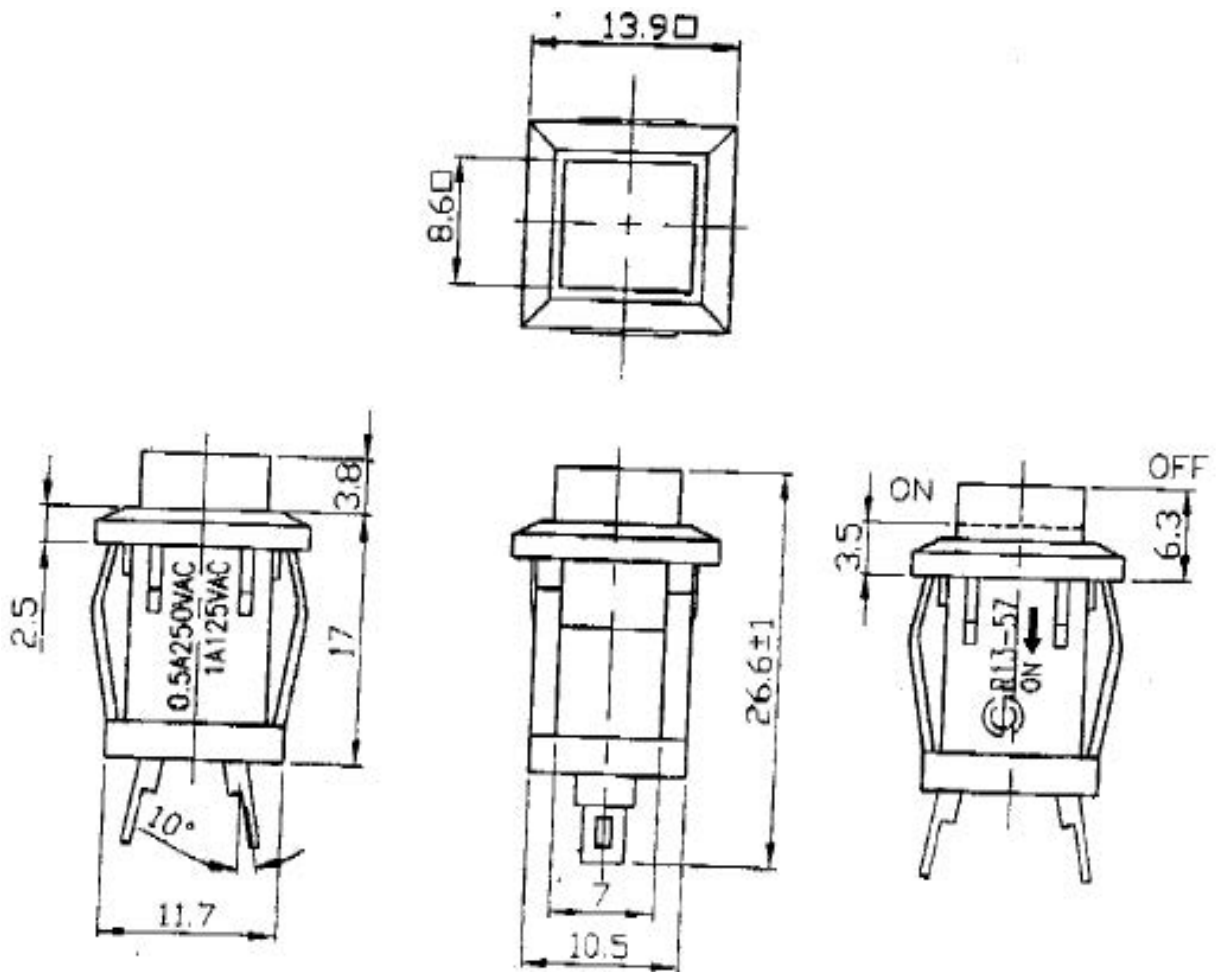


Push-Button Switch

Rating	1A 125V AC/0.5A 250V AC	Mount Hole 	Circuit Structure 
Contact R	20M ohm Max.		
Insulation R	DC 500V 100M ohm Min.		
Dielectric Strength	AC 1000V 1 minute		
Circuit	2P SPST OFF-(ON)		



Unit: mm

This is a publication by Conrad Electronic SE, Klaus-Conrad-Str. 1, D-92240 Hirschau (www.conrad.com).

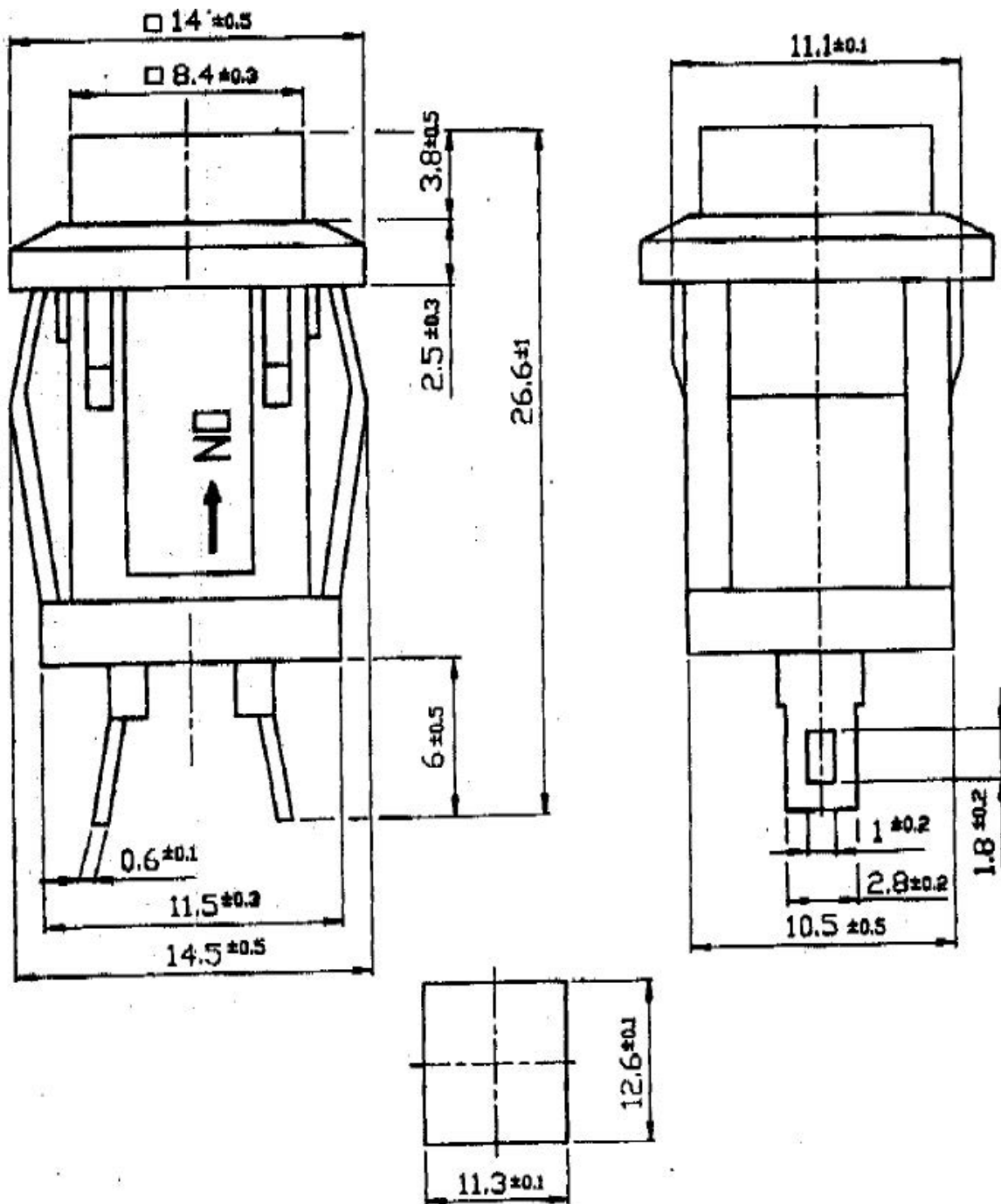
All rights including translation reserved. Reproduction by any method, e.g. photocopy, microfilming, or the capture in electronic data processing systems require the prior written approval by the editor. Reprinting, also in part, is prohibited. This publication represents the technical status at the time of printing.

© Copyright 2017 by Conrad Electronic SE.

Push-Button Switch

動作特性 Circuit	2P SPST OFF--(ON)
規格 Rating	1A 125A,0.5A 250V AC
接觸電阻 Contact resistance	20mΩ Max
絕緣電阻 Insulation resistance	DC 500V 100MΩ Min
耐電壓 Dielectric strength	AC 1000V 1 minute

Push-Button Switch



Unit: mm

This is a publication by Conrad Electronic SE, Klaus-Conrad-Str. 1, D-92240 Hirschau (www.conrad.com).

All rights including translation reserved. Reproduction by any method, e.g. photocopy, microfilming, or the capture in electronic data processing systems require the prior written approval by the editor. Reprinting, also in part, is prohibited. This publication represents the technical status at the time of printing.

© Copyright 2017 by Conrad Electronic SE.

Push-Button Switch

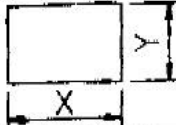
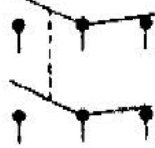
動作特性 Switching function(Circuit)	2P SPST ON-(OFF)
規格 Rating	1A 125V AC
接觸電阻 Contact resistance	20 m Ω Max
絕緣電阻 Insulation resistance	DC 500V 100M Ω Min
耐電壓 Voltage breakdown	AC 1000V 1 minute

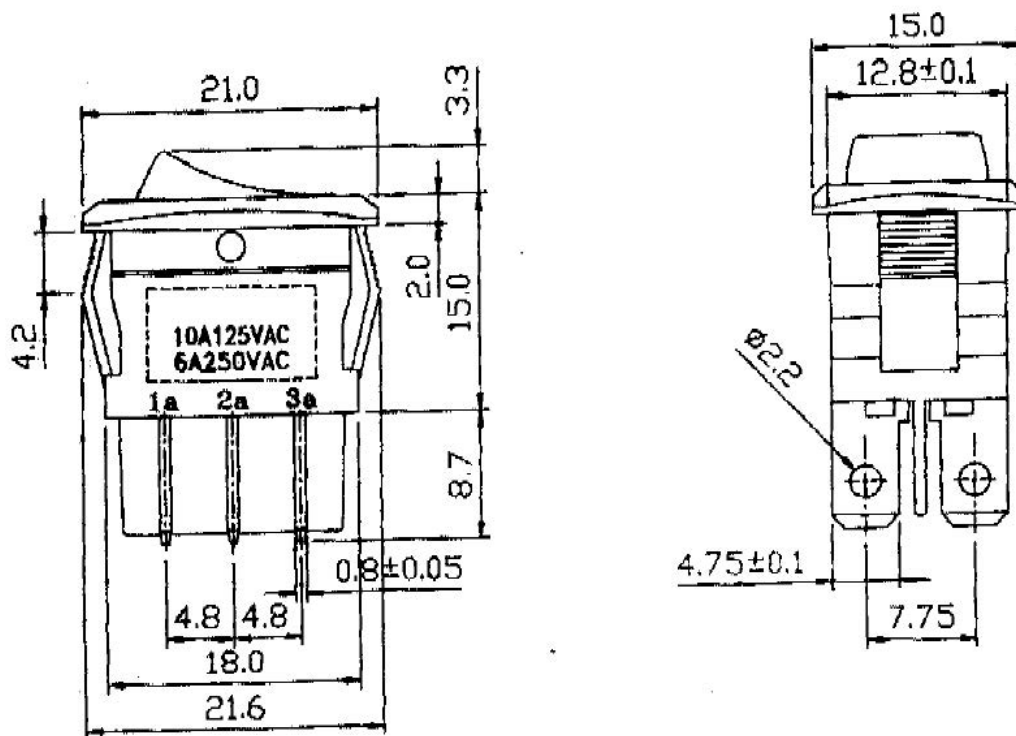
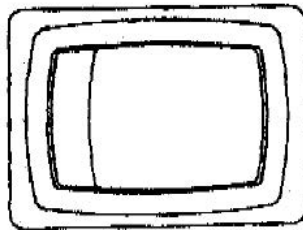
Datasheet

Item no. 1587712

V1_0817_01_en

Push-Button Switch

Rating	10A 125V,6A 250V AC	Mount Hole	Circuit Structure												
Contact R	50m ohm Max.														
Insulation R	DC 500V 100M ohm Min.														
Dielectric Strength	AC 1500V 1 minute														
Circuit	6P DPDT ON-ON														
		<table border="1"> <thead> <tr> <th>Thickness</th> <th>X</th> <th>Y</th> </tr> </thead> <tbody> <tr> <td>0,75...1,25</td> <td>19,2-0,1</td> <td>13+0,1</td> </tr> <tr> <td>1,25...2</td> <td>19,4-0,1</td> <td>13+0,1</td> </tr> <tr> <td>2...4</td> <td>19,8-0,1</td> <td>13+0,1</td> </tr> </tbody> </table>	Thickness	X	Y	0,75...1,25	19,2-0,1	13+0,1	1,25...2	19,4-0,1	13+0,1	2...4	19,8-0,1	13+0,1	
Thickness	X	Y													
0,75...1,25	19,2-0,1	13+0,1													
1,25...2	19,4-0,1	13+0,1													
2...4	19,8-0,1	13+0,1													



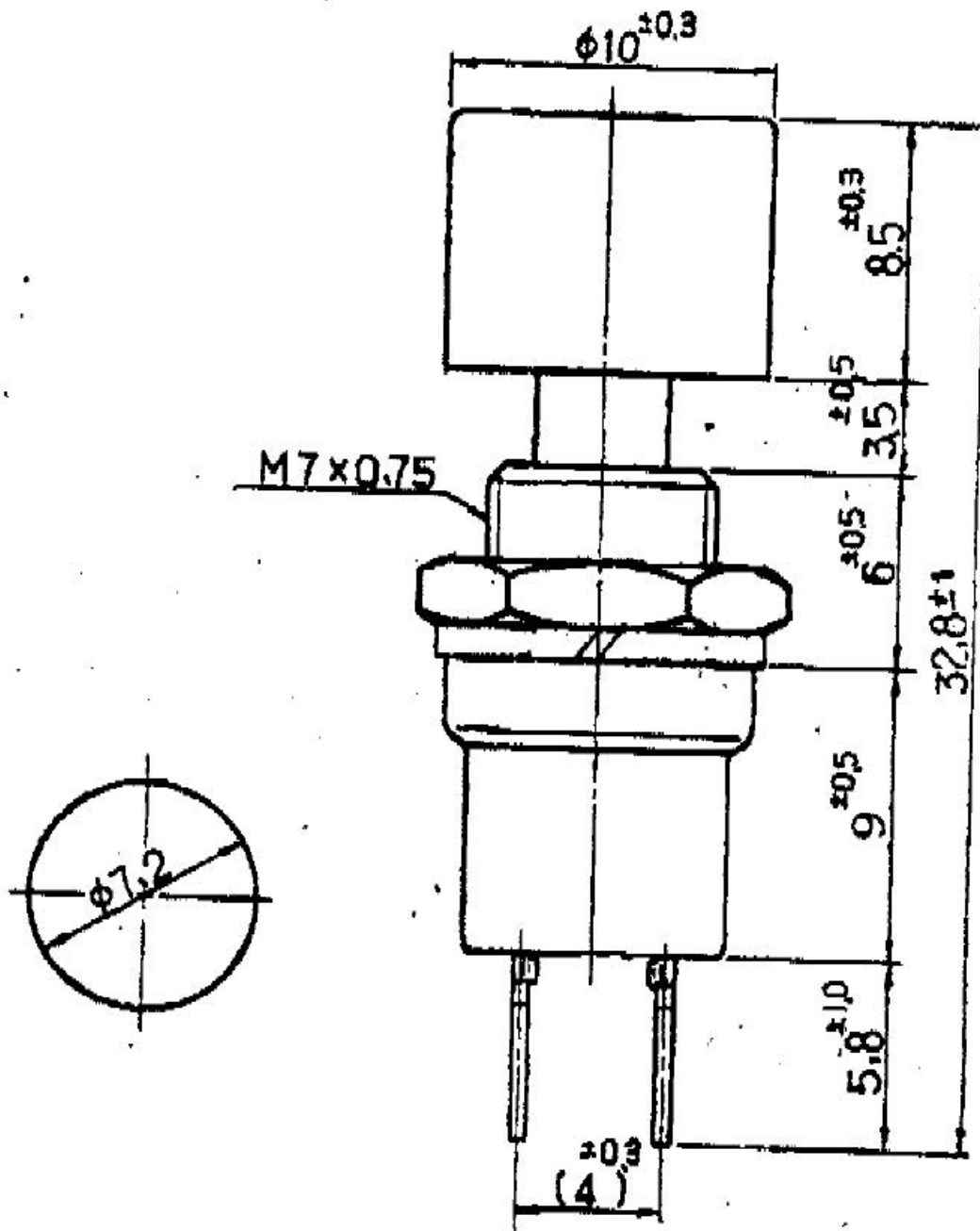
Unit: mm

This is a publication by Conrad Electronic SE, Klaus-Conrad-Str. 1, D-92240 Hirschau (www.conrad.com).

All rights including translation reserved. Reproduction by any method, e.g. photocopy, microfilming, or the capture in electronic data processing systems require the prior written approval by the editor. Reprinting, also in part, is prohibited. This publication represents the technical status at the time of printing.

© Copyright 2017 by Conrad Electronic SE.

Push-Button Switch



Unit: mm

This is a publication by Conrad Electronic SE, Klaus-Conrad-Str. 1, D-92240 Hirschau (www.conrad.com).

All rights including translation reserved. Reproduction by any method, e.g. photocopy, microfilming, or the capture in electronic data processing systems require the prior written approval by the editor. Reprinting, also in part, is prohibited. This publication represents the technical status at the time of printing.

© Copyright 2017 by Conrad Electronic SE.