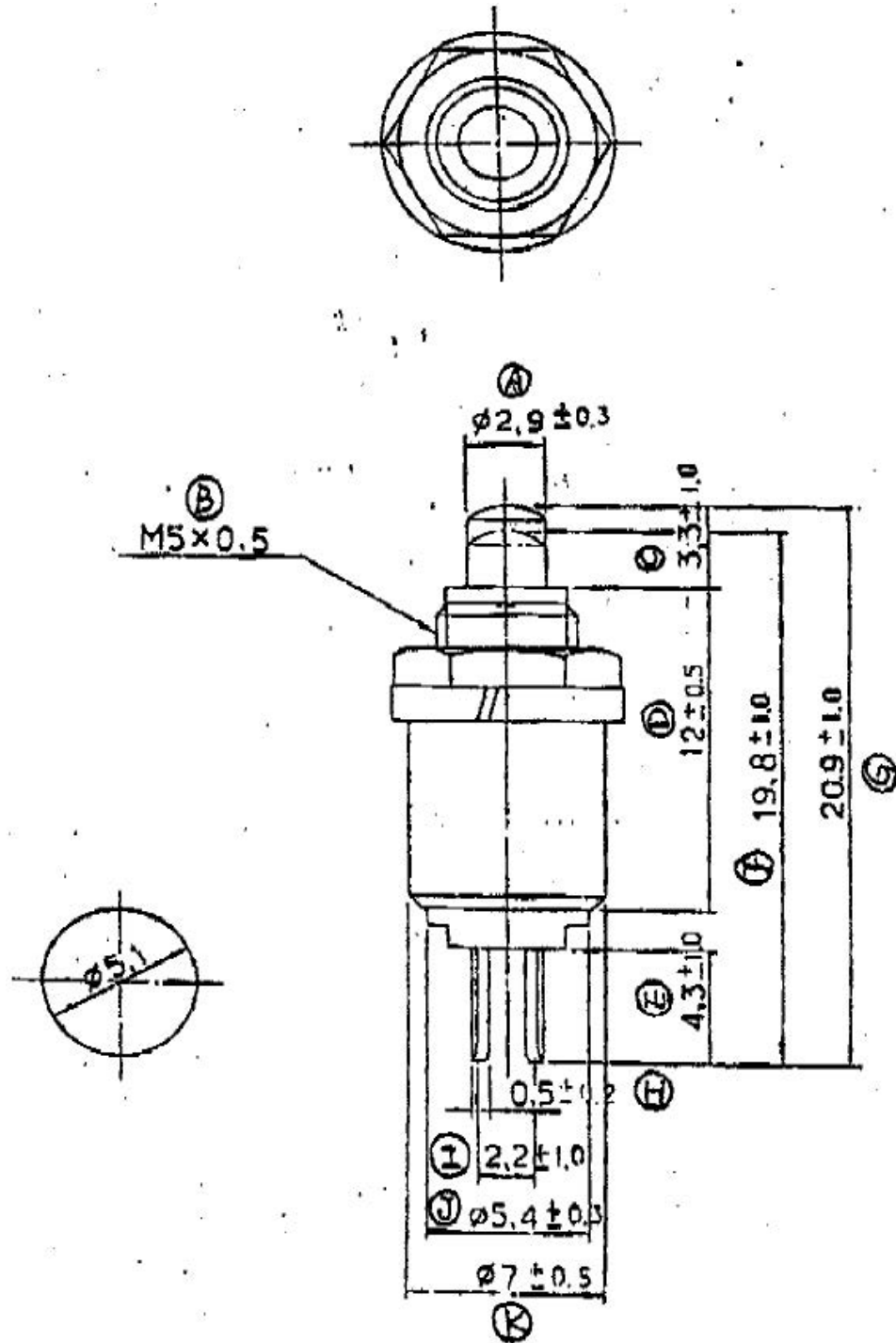


Push Switch

動作特性 Circuit	2P SPST OFF-(ON)
規格 Rating	0.5A 125V AC
接觸電阻 Contact resistance	50mΩ Max
絕緣電阻 Insulation resistance	DC 500V 100MΩ Min
耐電壓 Dielectric strength	AC 1000V 1 minute

Push Switch



Unit: mm