
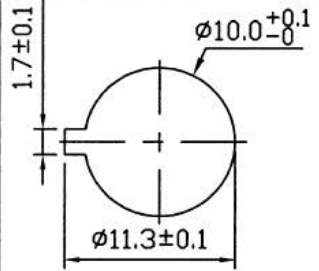
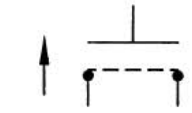
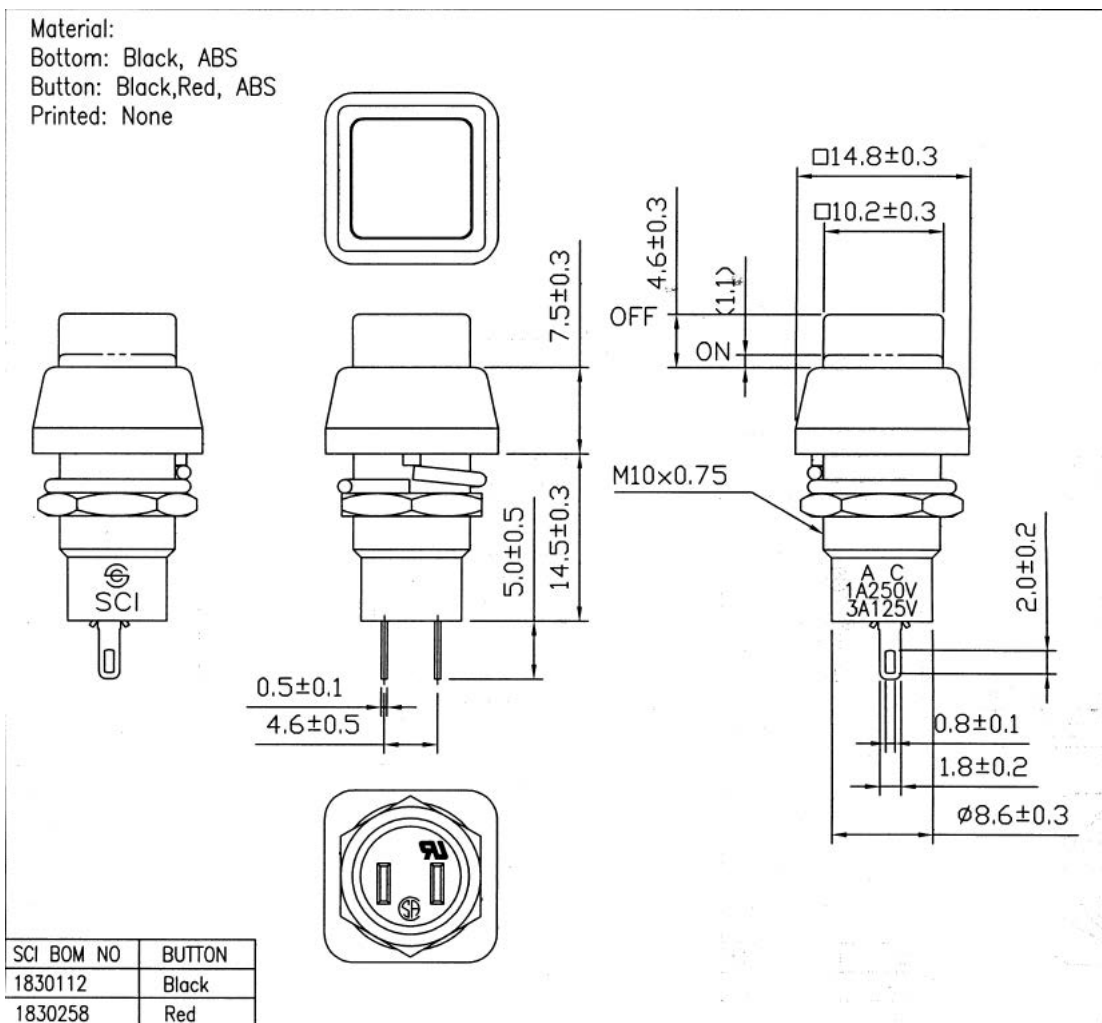


## Push Switch

<b>Rating</b>	3A 125V, 1A 250V AC 		
<b>Contact Resistance</b>	50m ohm Max.		
<b>Insulation Resistance</b>	DC 500V 100M ohm Min.		
<b>Dielectric Strength</b>	AC 1500V 1 minute		
<b>Switch Function</b>	2P SPST OFF-(ON)		



Unit: mm