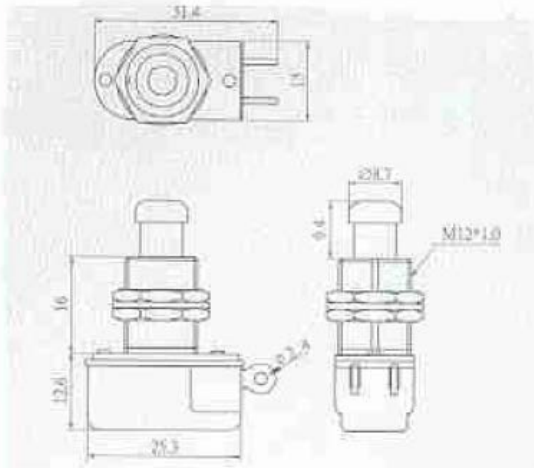


Datasheet

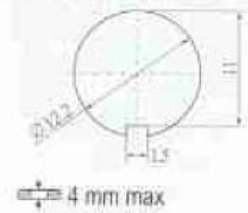
Item no. 1587726

V1_0817_01_en

Push Switch



Rating
6A 125V AC 3A 250V AC
Contact resistance
50mΩ Max
Insulation resistance
DC 500V 100MΩ Min
Dielectric strength
AC 1500V 1 minute
Cut-out



FEATURES:

- * MATERIAL: Frames are stainless plate. Bushing and Toggle are nickel plated brass.
- * Phenolic base.

Unit: mm

