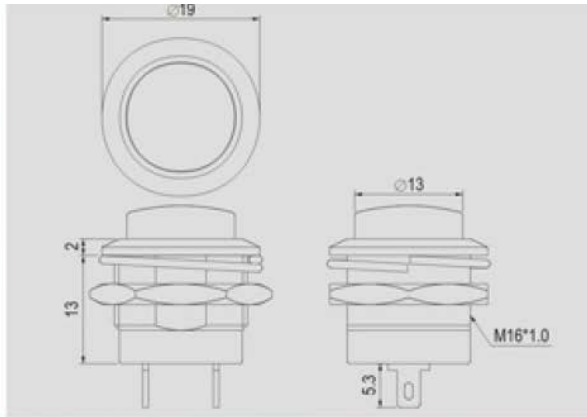


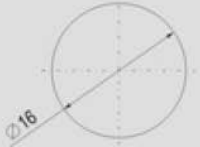
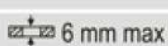
# Datasheet

Item no. 1587737

V1\_0817\_01\_en

## Push-Button Switch



<b>Rating</b>
6A 125V AC 3A 250V AC
<b>Contact resistance</b>
50mΩ Max
<b>Insulation resistance</b>
DC 500V 100MΩ Min
<b>Dielectric strength</b>
AC 1000V 1 minute
<b>Cut-out</b>



### FEATURES

- \* MATERIAL: Frames are nylon (UL flame: 94V-2). Terminals are silver plated brass.
- \* M type are metal frames, nickel plated brass.
- \* Mounted by nut.

BODY		FUNCTION	TERMINAL
 Plastic Body	 M Metal Body	 A OFF 2P SPST (ON)	0 5  SO
		* ( ) = momentary	

Unit: mm