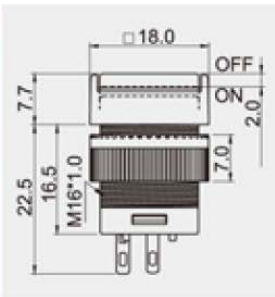


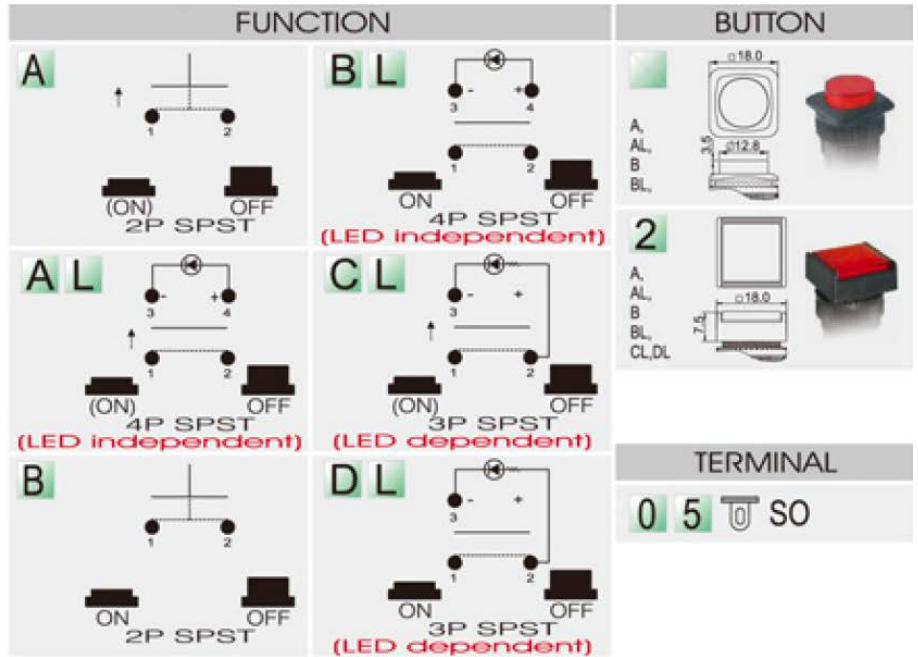
Push Switch (printing UL)



∅ 16
7 mm max



6A 14V DC
3A 28V DC



Unit: mm