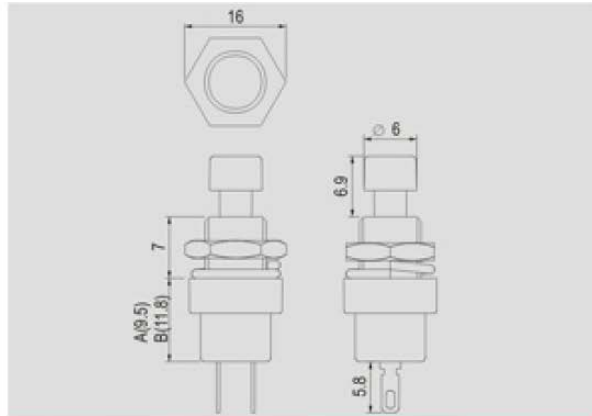


Datasheet

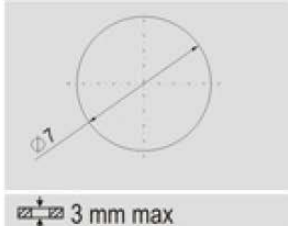
Item no. 1587746

V1_0817_01_en

Push-Button Switch

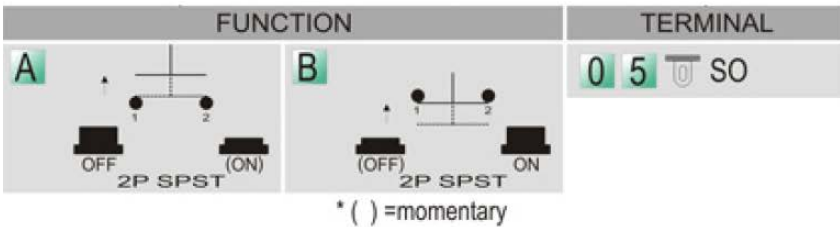


Rating
3A 125V AC 1.5A 250V AC
Contact resistance
50mΩ Max
Insulation resistance
DC 500V 100MΩ Min
Dielectric strength
AC 1000V 1 minute
Cut-out



FEATURES

- * MATERIAL: Actuators and Frames are nylon (UL flame: 94V-2). Terminals are silver plated brass.
- * Mounted by nut.



Unit: mm