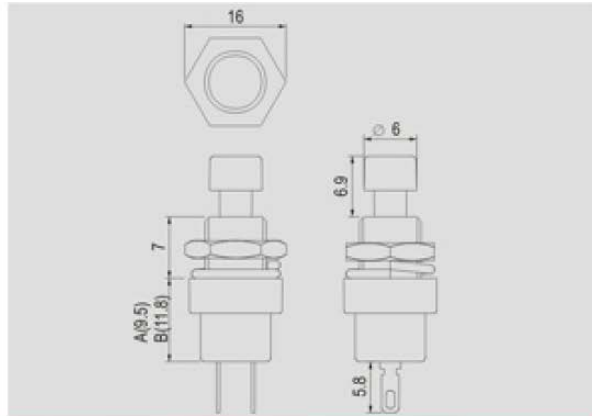
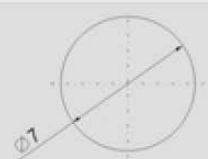



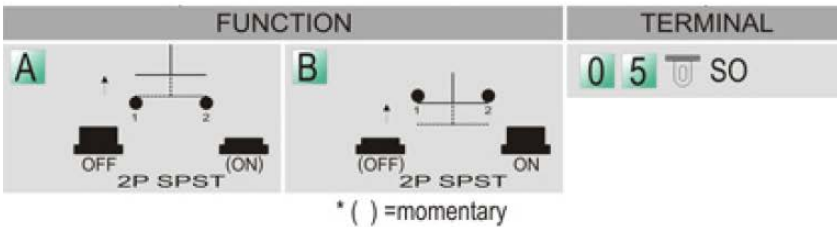
Push Switch (printing 3A125V/1.5A250VAC)



Rating	3A 125V AC 1.5A 250V AC
Contact resistance	50mΩ Max
Insulation resistance	DC 500V 100MΩ Min
Dielectric strength	AC 1000V 1 minute
Cut-out	
	

FEATURES

- * MATERIAL: Actuators and Frames are nylon (UL flame: 94V-2). Terminals are silver plated brass.
- * Mounted by nut.



Unit: mm