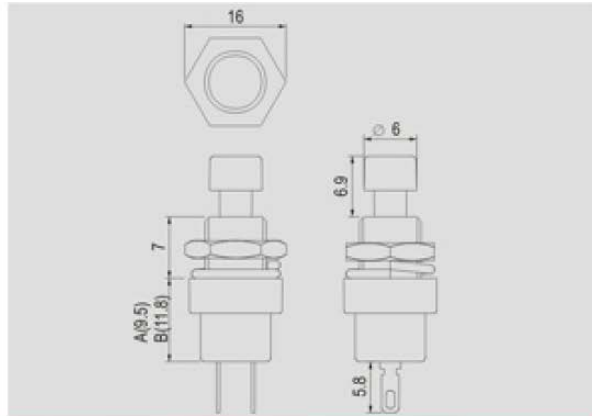
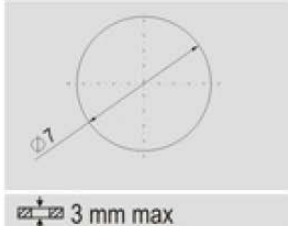


## Push Switch

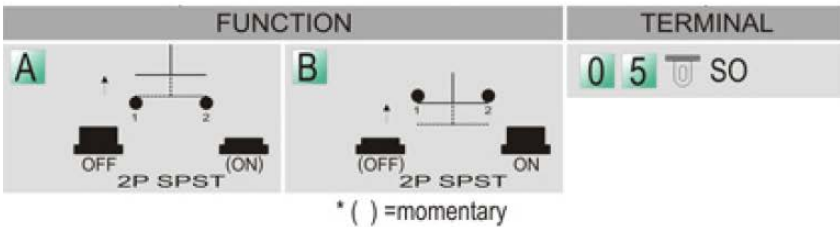


<b>Rating</b>
3A 125V AC 1.5A 250V AC
<b>Contact resistance</b>
50mΩ Max
<b>Insulation resistance</b>
DC 500V 100MΩ Min
<b>Dielectric strength</b>
AC 1000V 1 minute
<b>Cut-out</b>



### FEATURES

- \* MATERIAL: Actuators and Frames are nylon (UL flame: 94V-2). Terminals are silver plated brass.
- \* Mounted by nut.



\* ( ) = momentary

Unit: mm