
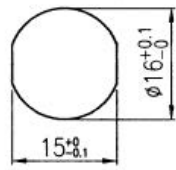
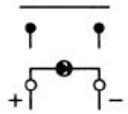
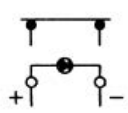
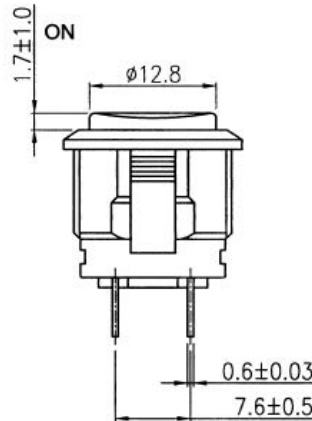
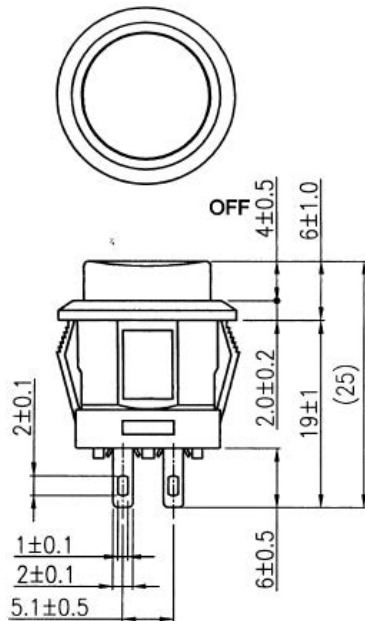
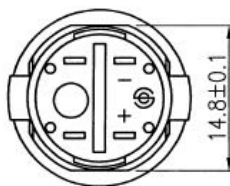


Push Switch

Rating	3A 125V AC 1.5A 250V AC		Mounting Hole	Circuit Diagram		
Contact Resistance	50m ohm Max.			OFF		
Insulation Resistance	DC 500V 100M ohm Min.			ON		
Dielectric Strength	AC 1500V 1 minute			LED Rating		
Operation Temperature	-20° C~85° C			LED Color	VF	IF
Switch Function	4P SPST OFF-ON(LED independent)			Yellow	2.0	20mA
				Iv(mcd)	View Angle	
				50	40°	



Material:
 Frame: Nylon#66, Black
 Actuator: PC, Yellow
 Terminals: Copper Alloy



Tolerances Unless Otherwise Specified ±0.3 Unit: mm

This is a publication by Conrad Electronic SE, Klaus-Conrad-Str. 1, D-92240 Hirschau (www.conrad.com).

All rights including translation reserved. Reproduction by any method, e.g. photocopy, microfilming, or the capture in electronic data processing systems require the prior written approval by the editor. Reprinting, also in part, is prohibited. This publication represents the technical status at the time of printing.

© Copyright 2017 by Conrad Electronic SE.