
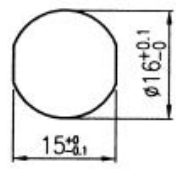
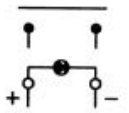
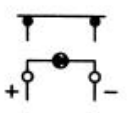
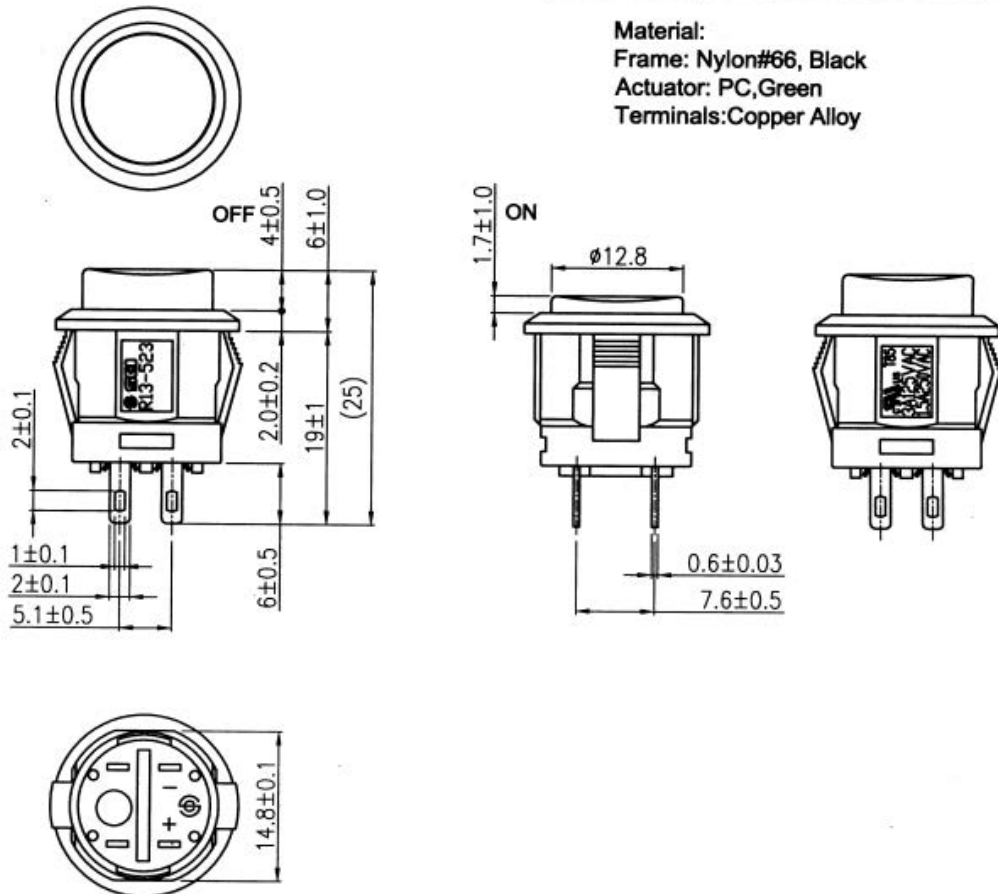


Push Switch

Rating	3A 125V AC 1.5A 250V AC		Mounting Hole		Circuit Diagram																	
Contact Resistance	50m ohm Max.			OFF																		
Insulation Resistance	DC 500V 100M ohm Min.			ON																		
Dielectric Strength	AC 1500V 1 minute		<table border="1"> <thead> <tr> <th colspan="5">LED rating</th> </tr> <tr> <th>LED Color</th> <th>VF</th> <th>IF</th> <th>Iv(mcd)</th> <th>View Angle</th> </tr> </thead> <tbody> <tr> <td>Green</td> <td>2.0</td> <td>20mA</td> <td>100</td> <td>30°</td> </tr> </tbody> </table>					LED rating					LED Color	VF	IF	Iv(mcd)	View Angle	Green	2.0	20mA	100	30°
LED rating																						
LED Color	VF							IF	Iv(mcd)	View Angle												
Green	2.0		20mA	100	30°																	
Operation Temperature	-20° C~85° C																					
Switch Function	4P SPST OFF-ON(LED Independent)																					



Material:
 Frame: Nylon#66, Black
 Actuator: PC, Green
 Terminals: Copper Alloy

Tolerances Unless Otherwise Specified ±0.3

Unit: mm

This is a publication by Conrad Electronic SE, Klaus-Conrad-Str. 1, D-92240 Hirschau (www.conrad.com).

All rights including translation reserved. Reproduction by any method, e.g. photocopy, microfilming, or the capture in electronic data processing systems require the prior written approval by the editor. Reprinting, also in part, is prohibited. This publication represents the technical status at the time of printing.

© Copyright 2017 by Conrad Electronic SE.