
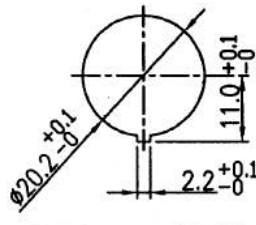
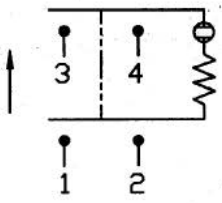
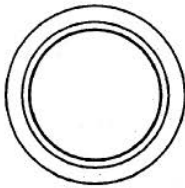


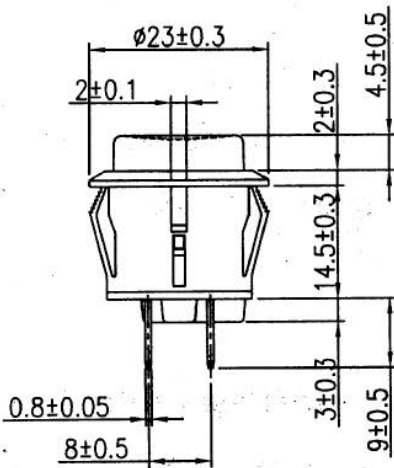
Push Switch

| | | | |
|------------------------------|---|---|---|
| Rating | 10A 125V, 6A 250VAC  1/2HP 125V~250V | Mounting Hole | Circuit |
| Contact Resistance | 50m ohm Max. |  <p>Thickness=0.7~3.0</p> |  |
| Insulation Resistance | DC 500V 100M ohm Min. | | |
| Dielectric Strength | AC 1500V 1 minute | | |
| Operation Temperature | -25°C ~ 85°C | | |
| Switch Function | 4P DPST (ON)-OFF (Illuminated) | | |

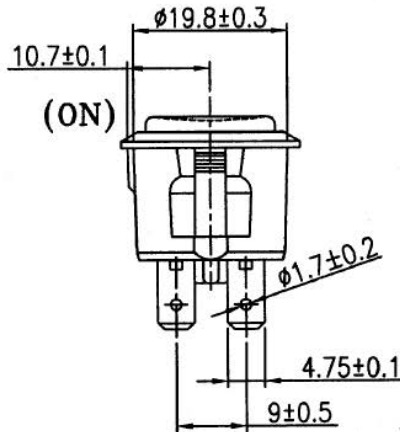


MATERIAL:

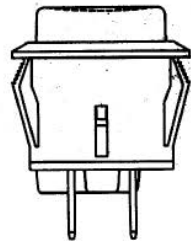
Frame: Black, Nylon 66 (94-v2)
 Actuator: PC (94-v2) green
 Printed: None



OFF



(ON)



Unit: mm