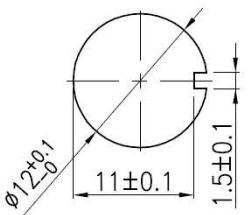
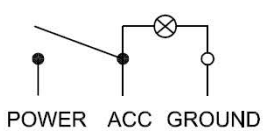
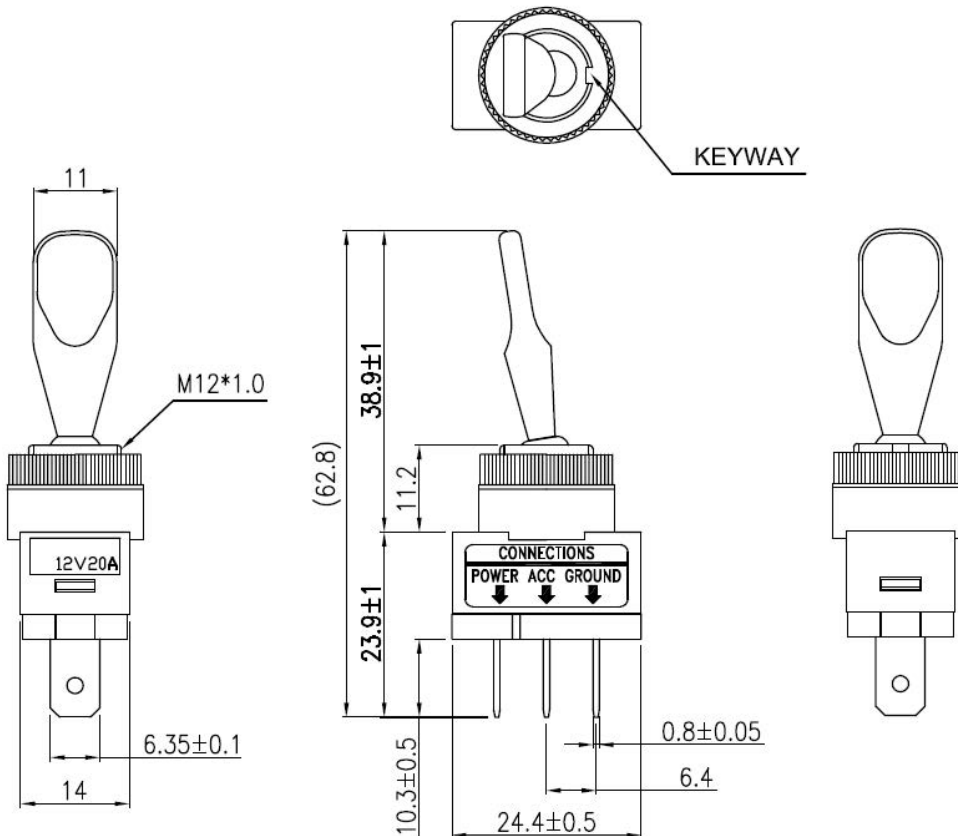


## Toggle car switch

|                       |                              |  |   |
|-----------------------|------------------------------|--|---|
| Rating                | 20A 12V DC                   | <b>Mounting Hole</b><br> | <b>Circuit Diagram</b><br> |
| Contact Resistance    | 50m ohm Max.                 |  |   |
| Insulation Resistance | DC 500V 100M ohm Min.        |  |   |
| Dielectric Strength   | AC 1500V 1 minute            |  |   |
| Switch Function       | 3P SPST ON-OFF (Illuminated) |  |   |

Material:  
 Frame: Red, PC  
 Toggle: Red, PC  
 Terminals: Copper Alloy



1 - Tolerances  $\pm 0.3$  Unless Otherwise Specified Unit: mm

This is a publication by Conrad Electronic SE, Klaus-Conrad-Str. 1, D-92240 Hirschau (www.conrad.com).

All rights including translation reserved. Reproduction by any method, e.g. photocopy, microfilming, or the capture in electronic data processing systems require the prior written approval by the editor. Reprinting, also in part, is prohibited. This publication represents the technical status at the time of printing.

© Copyright 2017 by Conrad Electronic SE.