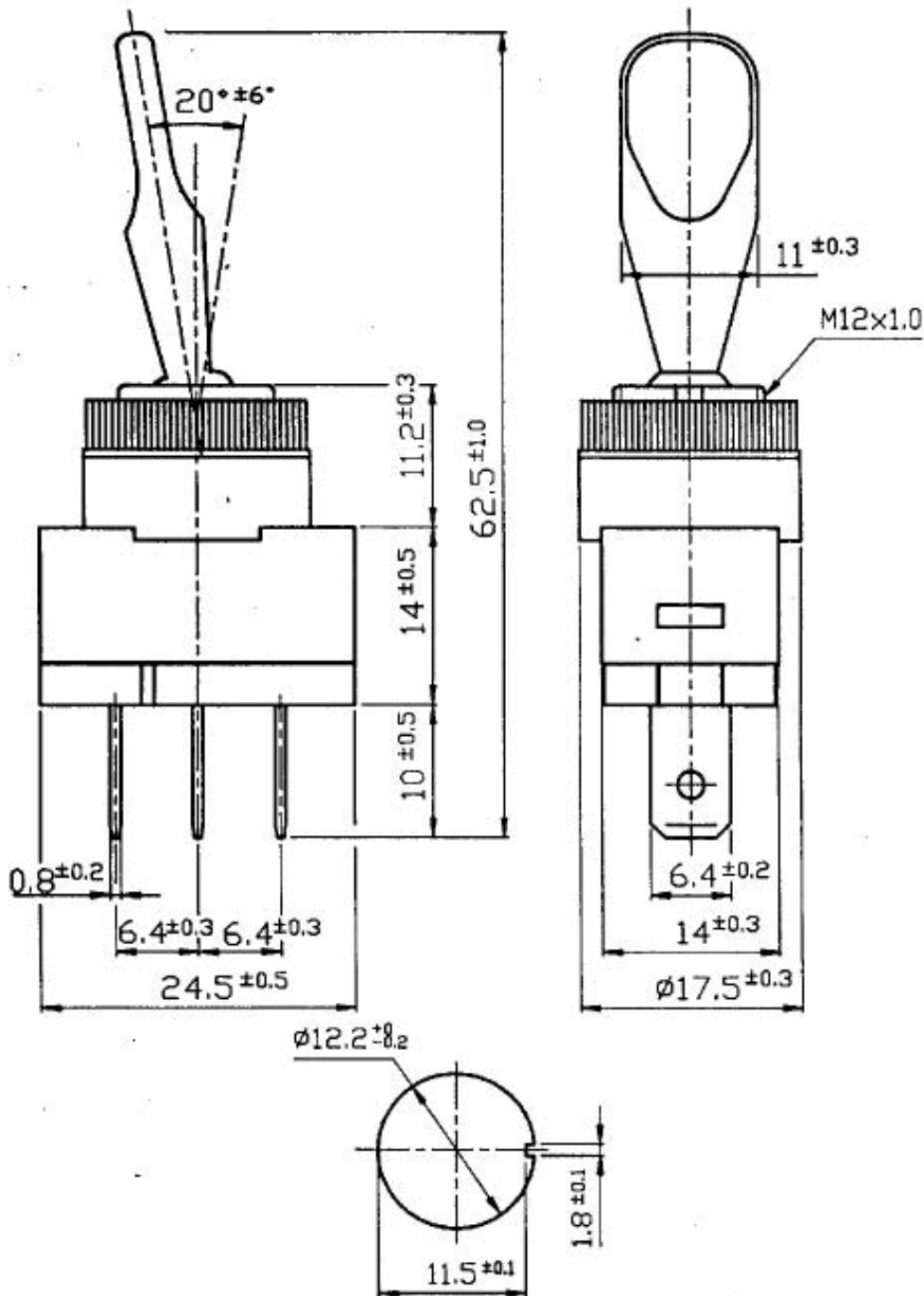


Toggle car switch

動作特性 Circuit	3P SPST ON-OFF(illuminated)
規格 Rating	20A 12V DC
接觸電阻 Contact resistance	50mΩ Max
絕緣電阻 Insulation resistance	DC 500V 100MΩ Min
耐電壓 Dielectric strength	AC 500V 1 minute
端子形狀 Terminal option	快速端子 Quick connect terminal
把柄顏色 Handle Color	紅色,綠色,黃色,藍色 Red,Green,Yellow,Blue

Unit: mm

Toggle car switch



Unit: mm

This is a publication by Conrad Electronic SE, Klaus-Conrad-Str. 1, D-92240 Hirschau (www.conrad.com).

All rights including translation reserved. Reproduction by any method, e.g. photocopy, microfilming, or the capture in electronic data processing systems require the prior written approval by the editor. Reprinting, also in part, is prohibited. This publication represents the technical status at the time of printing.

© Copyright 2017 by Conrad Electronic SE.