
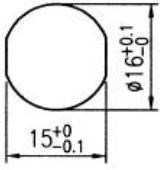
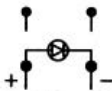
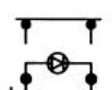


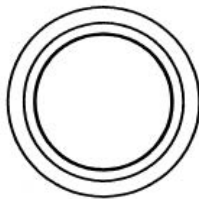
Datasheet

Item no. 1587807

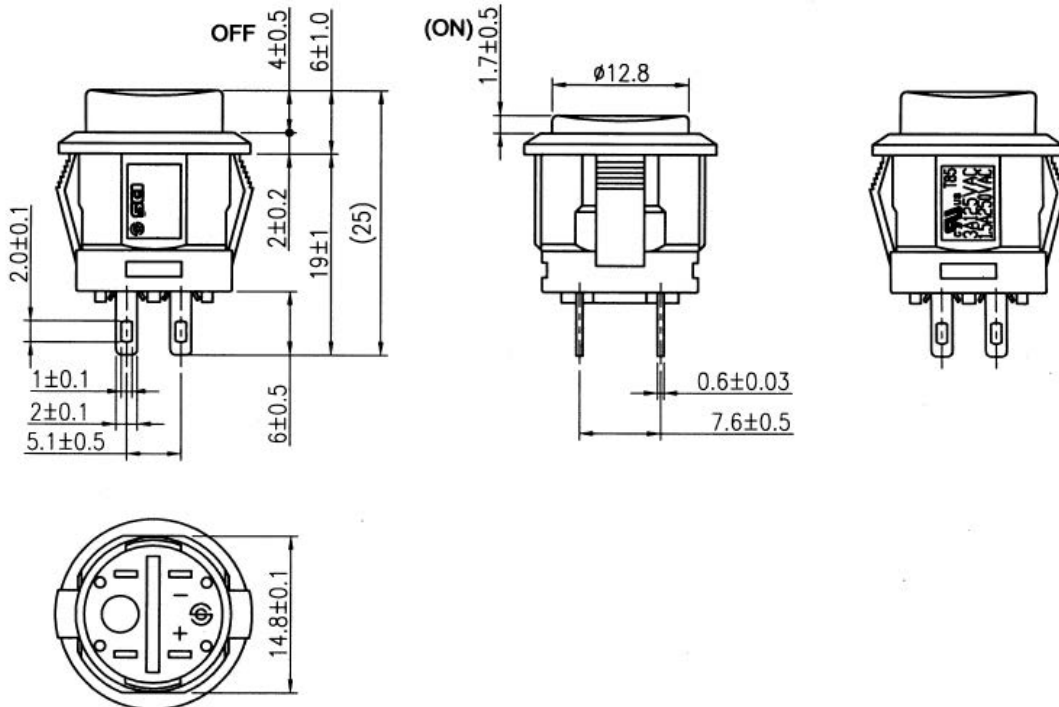
V1_0817_01_en

Push Switch

Rating	3A 125V AC 1.5A 250V AC		Mounting Hole	Circuit Diagram				
Contact Resistance	50m ohm Max			OFF				
Insulation Resistance	DC 500V 100M ohm Min.			(ON)				
Dielectric Strength	AC 1500V 1 minute.			LED rating				
Operation Temperature	-20°C~85°C			LED Color	VF	IF	Iv(mcd)	View Angle
Switch Function	4P SPST OFF-(ON) (LED Independent)			Green	2.0	20mA	100	30°



Material:
 Frame: Nylon#66, Black
 Actuator: PC, Green
 Terminals: Copper Alloy



Tolerances Unless Otherwise Specified ±0.3 Unit: mm

This is a publication by Conrad Electronic SE, Klaus-Conrad-Str. 1, D-92240 Hirschau (www.conrad.com).
 All rights including translation reserved. Reproduction by any method, e.g. photocopy, microfilming, or the capture in electronic data processing systems require the prior written approval by the editor. Reprinting, also in part, is prohibited. This publication represents the technical status at the time of printing.