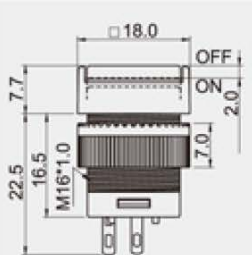
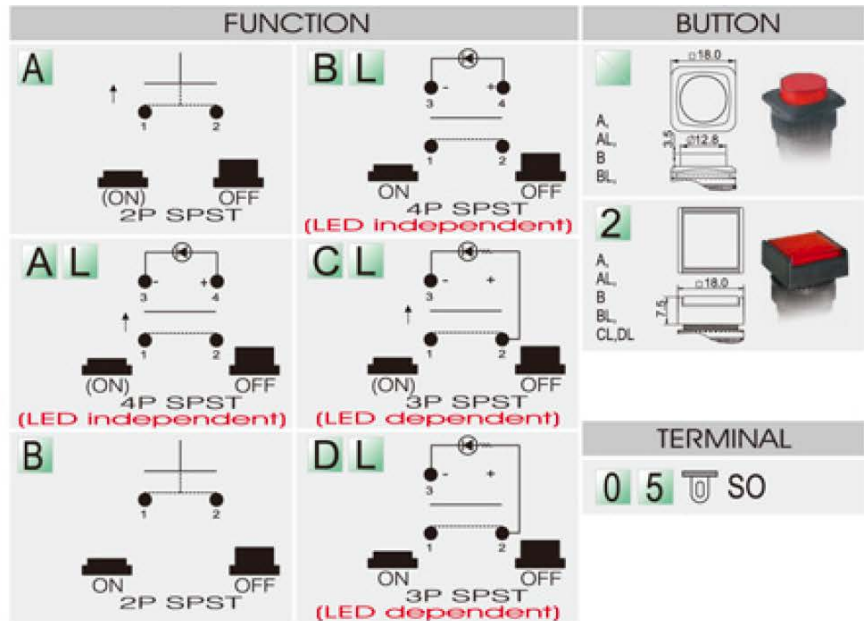


Push Switch (printing UL)



Ø 16
7 mm max

6A 14V DC
3A 28V DC



Unit: mm