
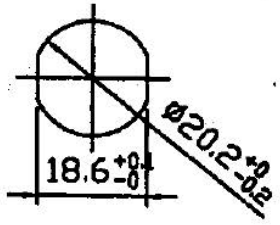
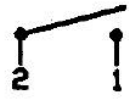
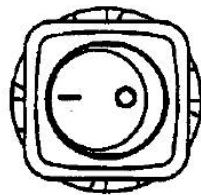
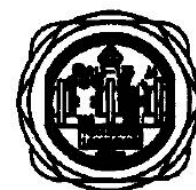
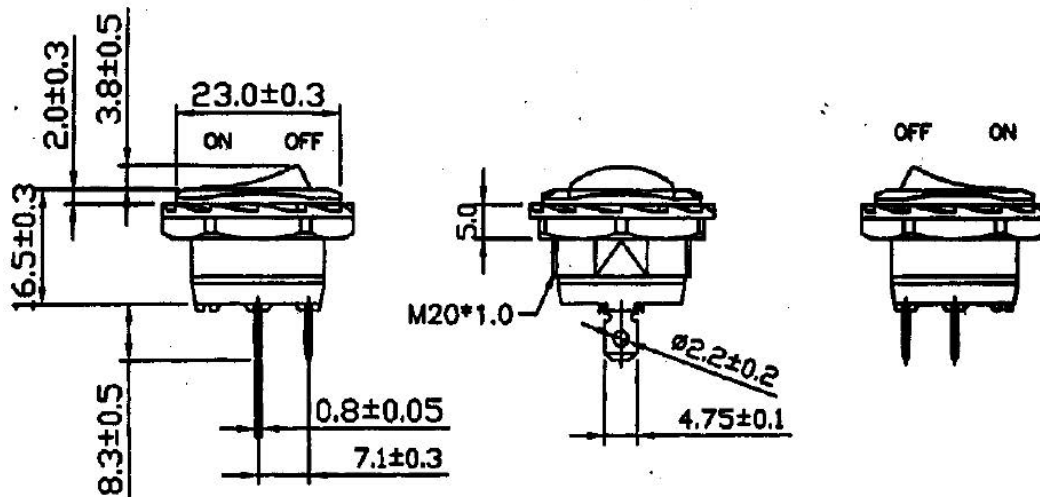


Rocker Switch (PRINT O / I)

Rating	16A 125V AC 10A 250V AC 10A 125V AC 6A 250V AC		Mounting Hole	Diagram
Contact Resistance	50m ohm Max.			
Insulation Resistance	DC 500V 100M ohm Min.			
Dielectric Strength	AC 1500V 1 minute			
Operation Temperature	-20°C~85°C			
Switch Function	2P SPST ON-OFF			



*Material
 Frame: Nylon#66+33%GF, Black
 Actuator: Nylon#66, Red
 Terminal: Copper alloy, Silver plated



Unit: mm