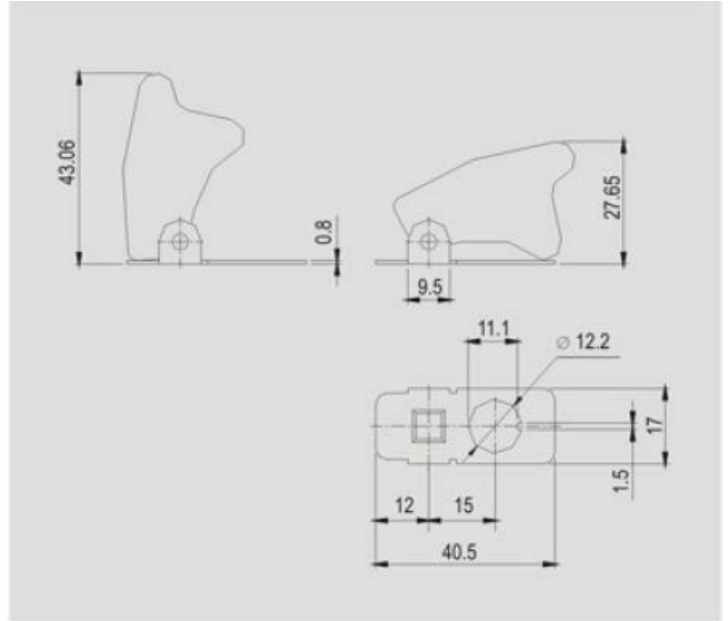


Guard for Toggle Switch



FEATURES

- * MATERIAL: Panel: steel with black glossy finish.
- * Mounting hole diameter: 12.2mm (0.481").
- * Accepts switches with standard 12.0mm or 15/32" diameter mounting hole.
- * The length of switch's lever can't over 25mm. (Fits SCI switch R13-5, R13-8, R13-28, R13-404, R13-61 series)
- * For color option, contact sales dept.



MATERIAL

B ABS CLEAR COLOR

Unit: mm