
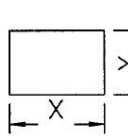
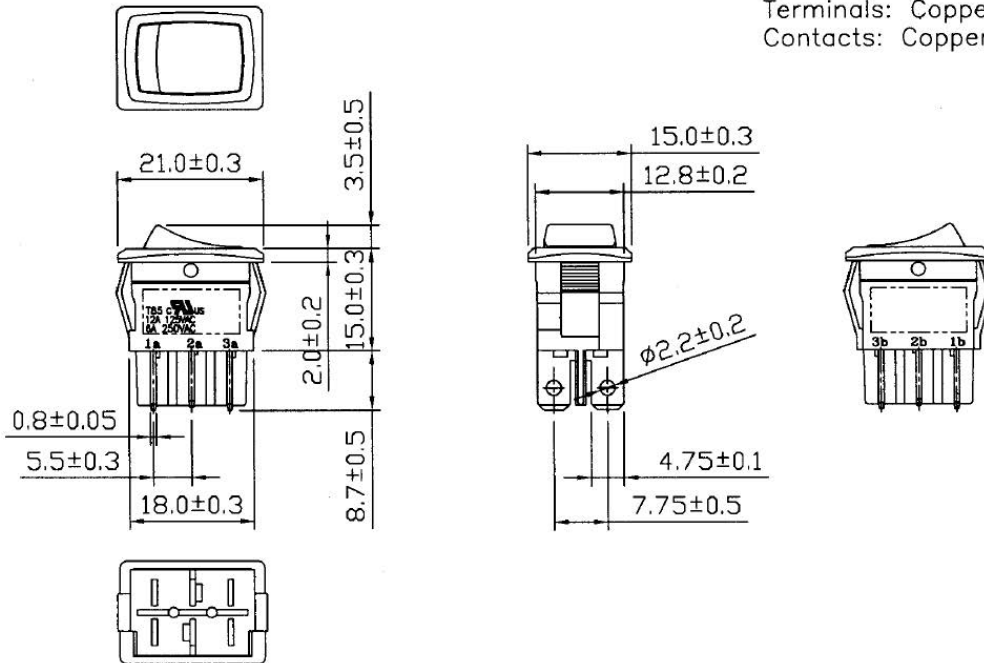


Rocker switch, B/B rocker printed O/I, 125VAC/12A, 250VAC/6A

Rating	12A 125V 6A 250VAC		Mounting Hole			Circuit Diagram	
			Thickness	X	Y	A	F
Contact R	50m ohm Max.					C	B
Insulation R	DC 500V 100M ohm Min.						D
Dielectric Strength	AC 1500V 1 minute				G	K	
Operation Temperature	-20°C~85°C				H	M	
Circuit	SEE TABLE				I	P	
					N	S	
					R	Q	

Symbol	Function	Symbol	Function
A	2P SPST ON-OFF	F	4P DPST ON-OFF
C	3P SPDT ON-ON	B	6P DPDT ON-ON
D	3P SPDT ON-OFF-ON	E	6P DPDT ON-OFF-ON
G	3P SPDT (ON)-OFF-(ON)	K	6P DPDT (ON)-OFF-(ON)
H	3P SPDT ON-OFF-(ON)	M	6P DPDT ON-OFF-(ON)
I	3P SPDT ON-(ON)	P	6P DPDT ON-(ON)
N	2P SPST (ON)-OFF	S	4P DPST (ON)-OFF
R	2P SPST ON-(OFF)	Q	4P DPST ON-(OFF)

*MATERIAL:
 Frame: Nylon 66 (94-V2)
 Actuator: Nylon 66 (94-V2)
 Terminals: Copper alloy
 Contacts: Copper alloy



Unit: mm