
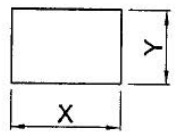
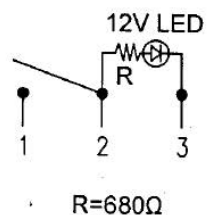
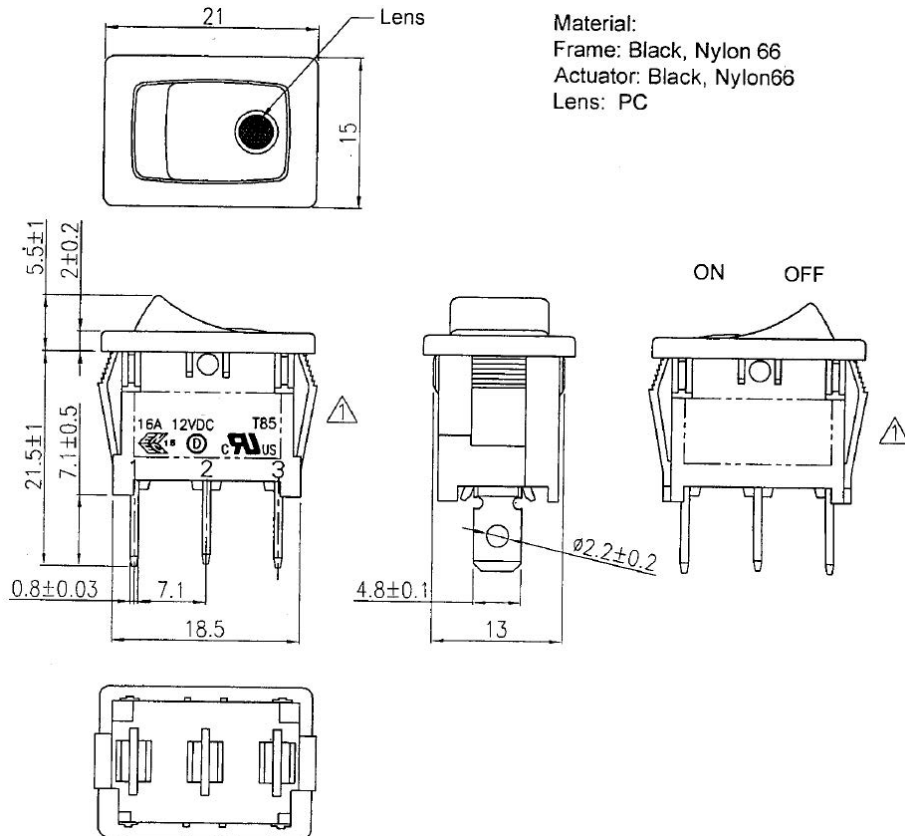


# Rocker switch, B/B yellow LED round & resistor 12VDC, 16A/125 VAC (10A/250 VAC)

Rating	16A 12V DC 	<b>Mounting Hole</b> 	<b>Circuit Diagram</b> 											
Contact Resistance	50m ohm Max													
Insulation Resistance	DC 500V 100M ohm Min													
Dielectric Strength	AC 1500V 1 minute													
Operation Temperature	-25°C~85°C													
Switch Function	3P SPST ON-OFF(LED dependent)	<table border="1"> <thead> <tr> <th>Thickness</th> <th>X</th> <th>Y</th> </tr> </thead> <tbody> <tr> <td>0.75...1.25</td> <td>19.2-0.1</td> <td>13+0.1</td> </tr> <tr> <td>1.25...2</td> <td>19.4-0.1</td> <td>13+0.1</td> </tr> <tr> <td>2...3</td> <td>19.8-0.1</td> <td>13+0.1</td> </tr> </tbody> </table>	Thickness	X	Y	0.75...1.25	19.2-0.1	13+0.1	1.25...2	19.4-0.1	13+0.1	2...3	19.8-0.1	13+0.1
Thickness	X	Y												
0.75...1.25	19.2-0.1	13+0.1												
1.25...2	19.4-0.1	13+0.1												
2...3	19.8-0.1	13+0.1												



Unit: mm

1824291	Yellow Clear	Yellow
1824284	Red Clear	Red
SCI No.	Lens color	Led color

Tolerances ±0.3 Unless Otherwise Specified

This is a publication by Conrad Electronic SE, Klaus-Conrad-Str. 1, D-92240 Hirschau (www.conrad.com).  
 All rights including translation reserved. Reproduction by any method, e.g. photocopy, microfilming, or the capture in electronic data processing systems require the prior written approval by the editor. Reprinting, also in part, is prohibited. This publication represents the technical status at the time of printing.