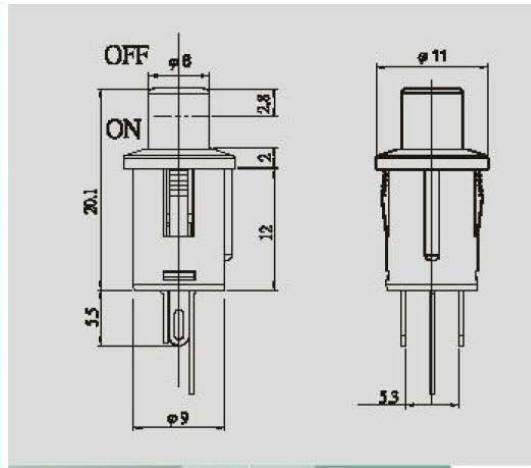


Push switch w/ LED indicator, blue, Off-On 2P SPST 3V, 1A/125VAC, 0.5A/250VAC



Rating

1A 125V AC
0.5A 250V AC

Contact resistance

50mΩ [Max

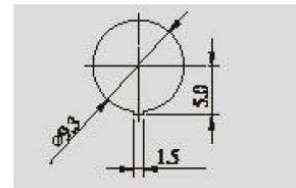
Insulation resistance

DC 500V 100MΩ [Min

Dielectric strength

AC 1000V 1 minute

Cut-out



0.5~2.0mm max

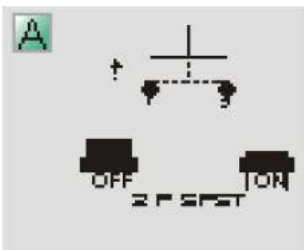
FEATURES

- **MATERIAL:** Frames are nylon with glass fiber (UL flame:94HB). Terminals are silver plated brass.
- Illuminated actuators are molded in PC, available with red, amber, and green colors.
- Snap-in mounting, easy to install switch into panel.

FUNCTION

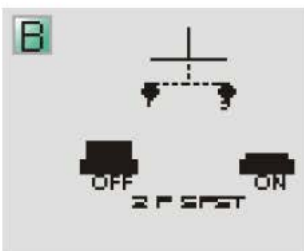
BUTTON

TERMINAL



W/O LED

With LED (3VDC)



Unit: mm