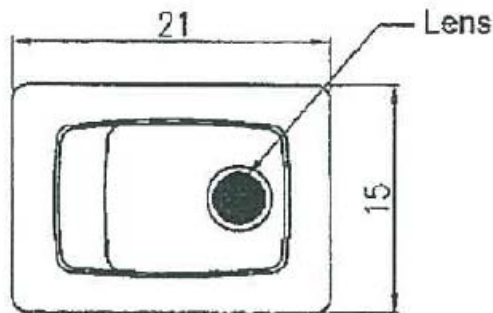
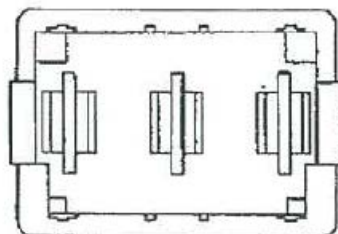
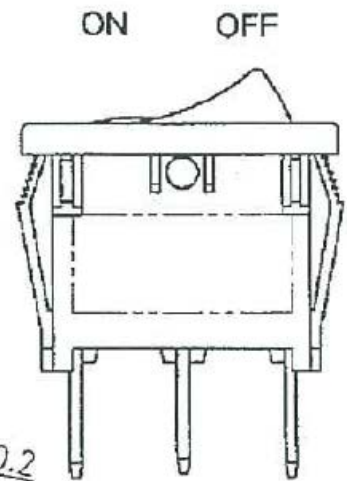
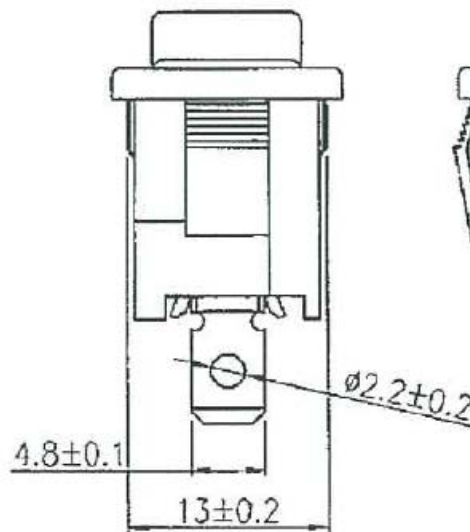
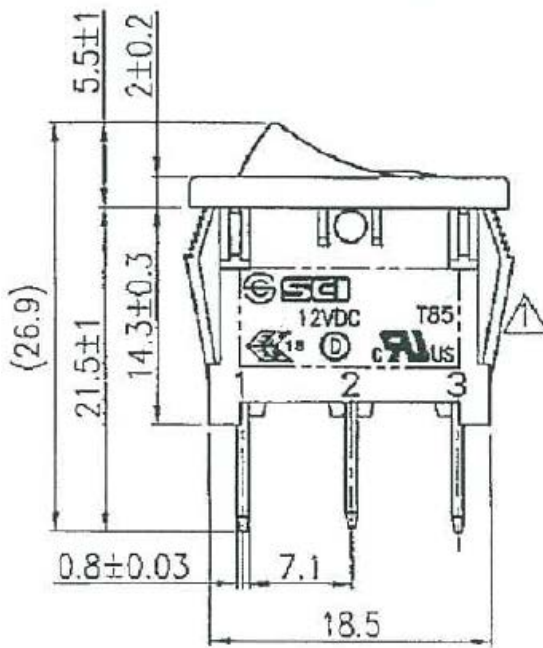


Rocker switch, B/B green LED round & resistor 12V DC, 16A/125 VAC (10A/250 VAC)



Material:
 Frame: Black, Nylon 66
 Actuator: Black, Nylon66
 Lens: Green, PC
 LED: Green



Unit: mm

This is a publication by Conrad Electronic SE, Klaus-Conrad-Str. 1, D-92240 Hirschau (www.conrad.com).

All rights including translation reserved. Reproduction by any method, e.g. photocopy, microfilming, or the capture in electronic data processing systems require the prior written approval by the editor. Reprinting, also in part, is prohibited. This publication represents the technical status at the time of printing.

© Copyright 2017 by Conrad Electronic SE.