
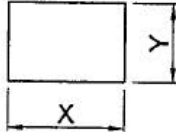
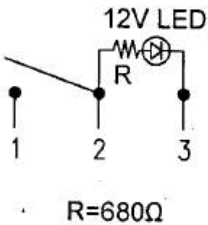
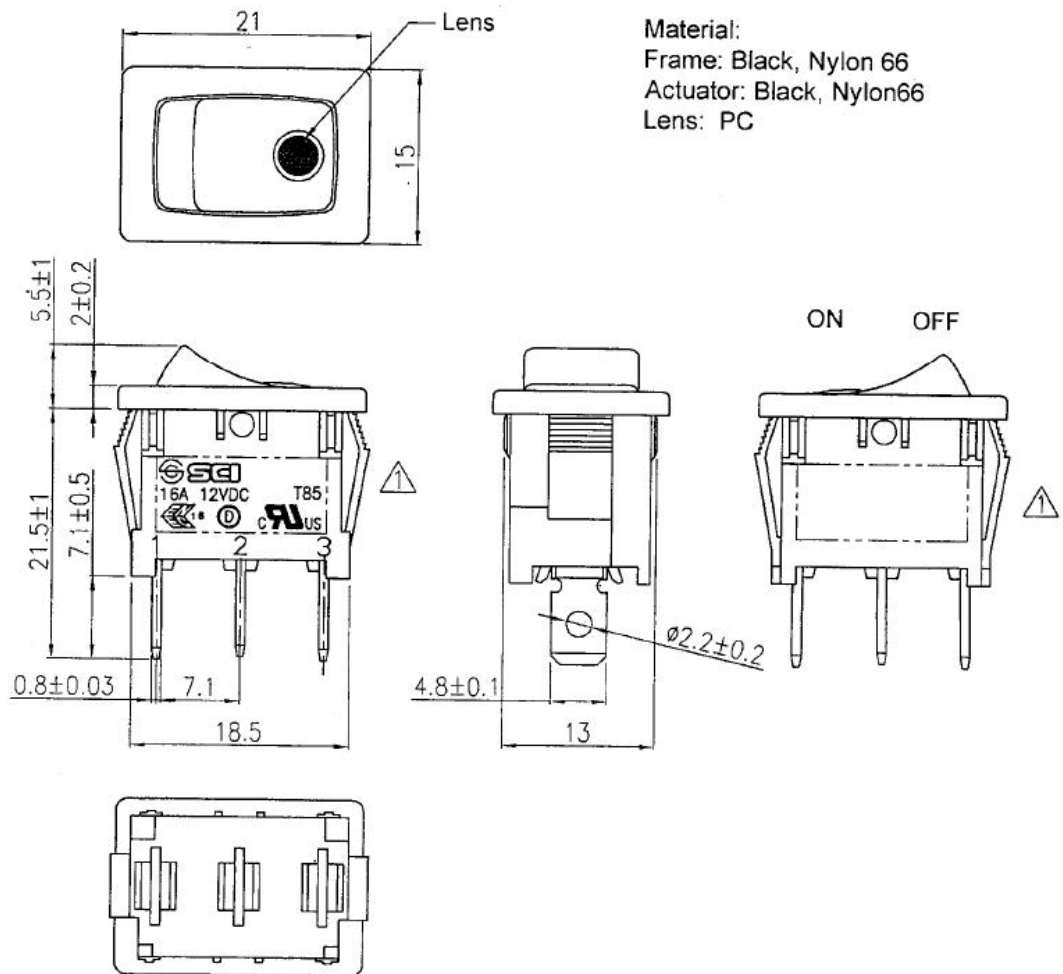


Rocker switch, B/B red LED round & resistor, 16A/12 VDC

Rating	16A 12V DC 	Mounting Hole 	Circuit Diagram 	
Contact Resistance	50m ohm Max			
Insulation Resistance	DC 500V 100M ohm Min			
Dielectric Strength	AC 1500V 1 minute			
Operation Temperature	-25°C~85°C	Thickness	X	Y
Switch Function	3P SPST ON-OFF(LED dependent)	0.75...1.25	19.2-0.1	13+0.1
		1.25...2	19.4-0.1	13+0.1
		2...3	19.8-0.1	13+0.1



Unit: mm

This is a publication by Conrad Electronic SE, Klaus-Conrad-Str. 1, D-92240 Hirschau (www.conrad.com).

All rights including translation reserved. Reproduction by any method, e.g. photocopy, microfilming, or the capture in electronic data processing systems require the prior written approval by the editor. Reprinting, also in part, is prohibited. This publication represents the technical status at the time of printing.

© Copyright 2017 by Conrad Electronic SE.