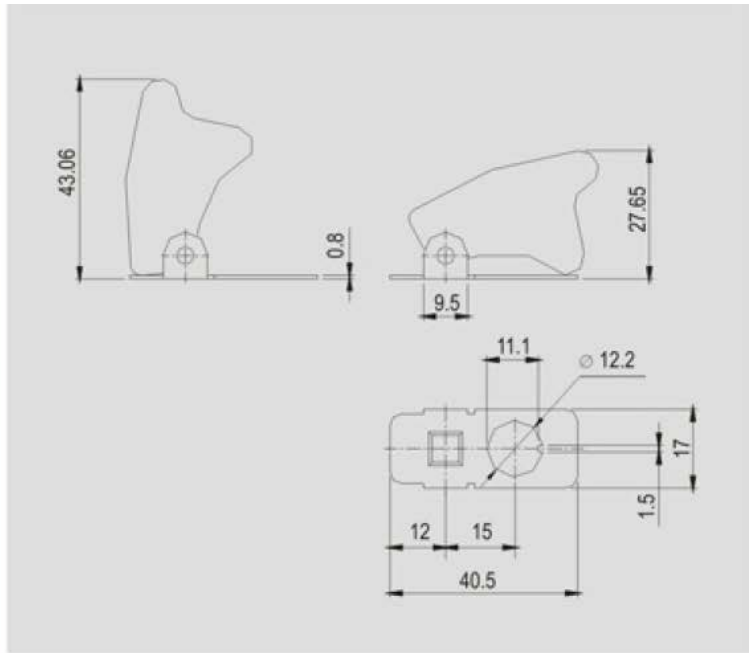


Guard for toggle switches, fit in item R13-2 4 5 6 7 8 25 28 29 & 37 carbon



FEATURES

- * MATERIAL: Panel: steel with black glossy finish.
- * Mounting hole diameter: 12.2mm (0.481").
- * Accepts switches with standard 12.0mm or 15/32" diameter mounting hole.
- * The length of switch's lever can't over 25mm.
- * For color option, contact sales dept.



Unit: mm

This is a publication by Conrad Electronic SE, Klaus-Conrad-Str. 1, D-92240 Hirschau (www.conrad.com).

All rights including translation reserved. Reproduction by any method, e.g. photocopy, microfilming, or the capture in electronic data processing systems require the prior written approval by the editor. Reprinting, also in part, is prohibited. This publication represents the technical status at the time of printing.

© Copyright 2017 by Conrad Electronic SE.