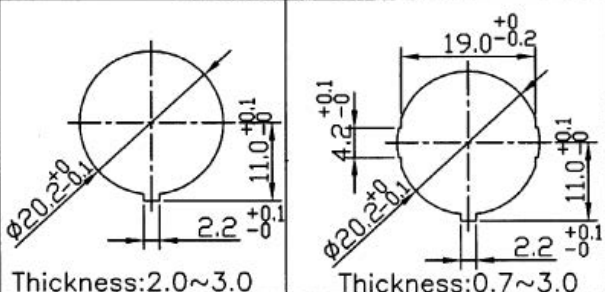
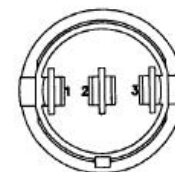
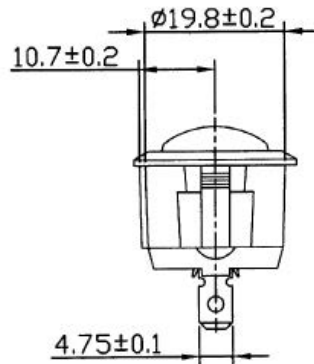
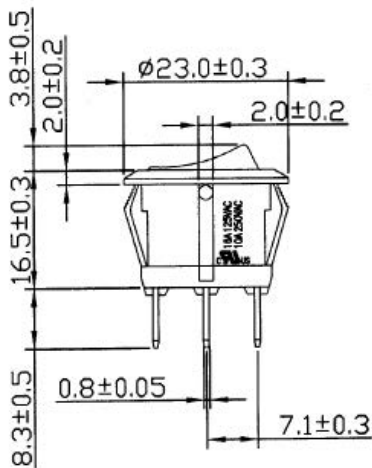
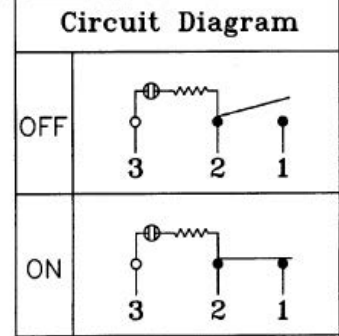


# Rocker Switches, On-Off 3P SPST, 12V DC Led, 16A/125 VAC (10A/250 VAC)

Rating	20A 12VDC	<b>Mounting Hole</b> 	
Contact R	50m ohm Max.		
Insulation R	DC 500V 100M ohm Min.		
Dielectric Strength	AC 1500V 1 minute		
Operation Tempature	-20°C~85°C		
Circuit	3P SPST ON-OFF (Illuminated)		

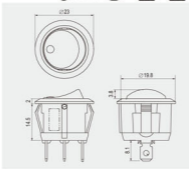


Unit: mm

This is a publication by Conrad Electronic SE, Klaus-Conrad-Str. 1, D-92240 Hirschau (www.conrad.com).

All rights including translation reserved. Reproduction by any method, e.g. photocopy, microfilming, or the capture in electronic data processing systems require the prior written approval by the editor. Reprinting, also in part, is prohibited. This publication represents the technical status at the time of printing.

© Copyright 2017 by Conrad Electronic SE.



<b>Rating</b>	16A 125V AC 10A 250V AC
<b>Contact resistance</b>	50mΩ Max
<b>Insulation resistance</b>	DC 500V 100MΩ Min
<b>Dielectric strength</b>	AC 1500V 1 minute
<b>Cut-out</b>	

**FEATURES**

- \* MATERIAL: Frame is nylon (UL flame: 94V-2). Terminals are silver plated brass.
- \* Illuminated actuators are molded in PC, available with red, amber, green, blue and white colors.
- \* Snap-in mounting, easy to install switch into panel.
- \* Except lever type actuator ( AP, BP, CP, DP, LP), waterproof cover is optional.
- \* Standard dimension of housing height is 14.5mm, if look for shorter height, please refer to page 1-55, item R13-208 with housing height 12.0mm.
- \* R13-112B9 & R13-112B9F: The LED is built with PCB for shifting to AC rating application.



<b>Cut-out for X8 ROCKER</b>	
	0.7-2.5 mm max

ROCKER	
A, B, BF C, D, E, FG, H, I	A5
A2 E2 F2	LP
A2B	A8, B8 B8F C8, D8 F8, E8
B2 B2F	B9 B9F
L L3	AP BP CP DP



**Ordering number instruction**

R13-112

FUNCTION		TERMINAL
<b>Different button (按钮不同)</b>		0 2  .187" SQ
<b>A</b>	<b>A 2</b>	0 9  PC
<b>A 5</b>	<b>A P</b>	1 2  SO
<b>A 2 B</b>		
<b>Illuminated / Different button (带灯/按钮不同)</b>		
<b>B</b>	<b>B 2</b>	<b>B P</b>
<b>B 9</b>	<b>B 1 0</b>	
<b>Momentary / Illuminated / Different button (弹回/带灯/按钮不同)</b>		<b>L 3</b>
<b>B F</b>	<b>B 2 F</b>	
<b>B 9 F</b>		
<b>Different position / Different button (动作特性不同/按钮不同)</b>		
<b>C</b>	<b>C P</b>	<b>D P</b>
<b>D</b>		
<b>Momentary (弹回)</b>		
<b>E</b>	<b>F</b>	<b>G</b>
<b>H</b>	<b>I</b>	
<b>Independent circuit / Different button (独立电路/按钮不同)</b>		
<b>L</b>	<b>L P</b>	<b>L F</b>
<b>Waterproof (防水)</b>		
<b>A 8</b>	<b>B 8</b>	<b>B 8 F</b>
<b>C 8</b>	<b>D 8</b>	<b>F 8</b>
<b>E 8</b>		