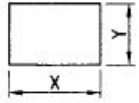
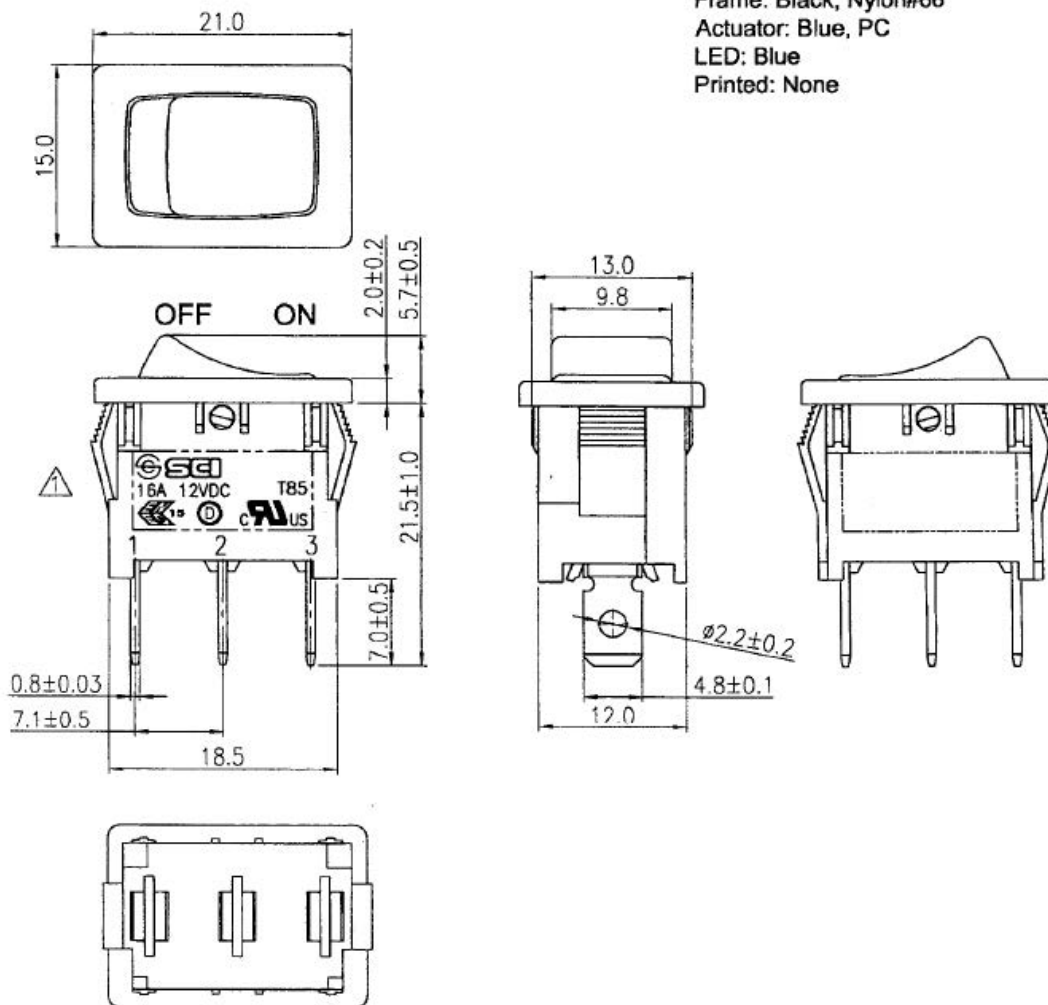


Rocker Switches, On-Off 4P SPST, 12V DC Led, blue

Rating	16A 12VDC	Mounting Hole		Circuit Diagram
Contact Resistance	50m ohm Max.			
Insulation Resistance	DC 500V 100M ohm Min.			
Dielectric Strength	AC 1500V 1 minute			
Operation Temperature	-25°C~85°C	Thickness	X	Y
Switch Function	3P SPST ON-OFF(LED dependent)	0.75~1.25	19.2-0.1	13.0+0.1
		1.25~2.0	19.4-0.1	13.0+0.1
		2.0~3.0	19.8-0.1	13.0+0.1

Material:
 Frame: Black, Nylon#66
 Actuator: Blue, PC
 LED: Blue
 Printed: None



Tolerances ±0.3 Unless Otherwise Specified

Unit: mm

This is a publication by Conrad Electronic SE, Klaus-Conrad-Str. 1, D-92240 Hirschau (www.conrad.com).

All rights including translation reserved. Reproduction by any method, e.g. photocopy, microfilming, or the capture in electronic data processing systems require the prior written approval by the editor. Reprinting, also in part, is prohibited. This publication represents the technical status at the time of printing.

© Copyright 2017 by Conrad Electronic SE.